



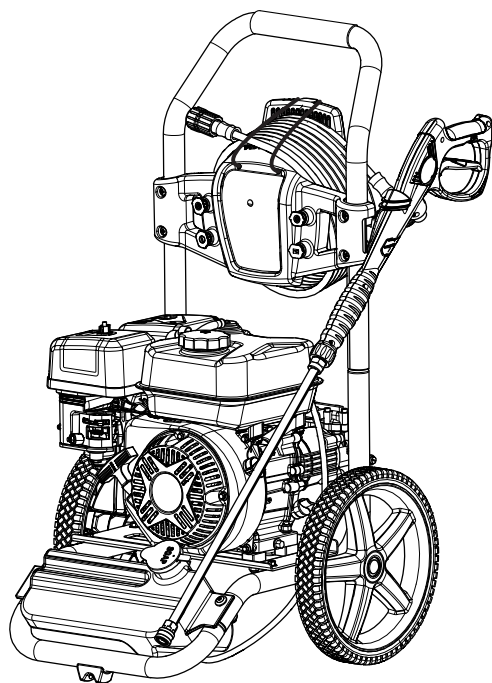
# OPERATOR'S MANUAL

MANUEL D'UTILISATION  
MANUAL DEL OPERADOR

## 3200 PSI PRESSURE WASHER

LAVEUSE À PRESSION DE 3 200 PSI  
LAVADORA A PRESIÓN DE 3 200 PSI

RY80588A



**NOTICE      AVIS      AVISO**

Do not use E15 or E85 fuel in this product. It is a violation of federal law and will damage the unit and void your warranty. Only use unleaded gasoline containing up to 10% ethanol.

Ne pas utiliser d'essence E15 ou E85 dans ce produit. Une telle utilisation représente une violation de la loi fédérale et endommagera l'appareil et annulera la garantie. Utiliser seulement de l'essence sans plomb ne contenant pas plus de 10 % d'éthanol.

No utilice combustibles E15 o E85 con este producto. Esto constituye una violación a la ley federal, dañará la unidad y anulará la garantía. Use únicamente gasolina sin plomo con un contenido de hasta 10 % de etanol.

### TABLE OF CONTENTS

- Important Safety Instructions.....2
- Specific Safety Rules .....3
- Symbols .....4-5
- Features .....6
- Assembly .....6-8
- Operation .....9-13
- Maintenance .....13-16
- Troubleshooting ..... 17
- Parts Ordering/Service..... Back Page

### TABLE DES MATIÈRES

- Instructions importantes concernant la sécurité .....2
- Règles de sécurité particulières.....3
- Symboles .....4-5
- Caractéristiques .....6
- Assemblage .....6-8
- Utilisation .....9-13
- Entretien.....14-17
- Dépannage.....18
- Commande de pièces / réparation.....Page arrière

### ÍNDICE DE CONTENIDO

- Instrucciones de seguridad importantes .....2
- Reglas de seguridad específicas .....3
- Símbolos .....4-5
- Características .....6
- Armado .....6-8
- Funcionamiento .....9-13
- Mantenimiento .....14-17
- Solución de problemas ..... 18
- Pedidos de piezas/ servicio ..... Pág. posterior

**⚠ WARNING:** To reduce the risk of injury, the user must read and understand the operator's manual before using this product.

**⚠ AVERTISSEMENT :** Pour réduire les risques de blessures, l'utilisateur doit lire et veiller à bien comprendre le manuel d'utilisation avant d'employer ce produit.

**⚠ ADVERTENCIA:** Para reducir el riesgo de lesiones, el usuario debe leer y comprender el manual del operador antes de usar este producto.

**SAVE THIS MANUAL FOR FUTURE REFERENCE**

**CONSERVER CE MANUEL POUR FUTURE RÉFÉRENCE**

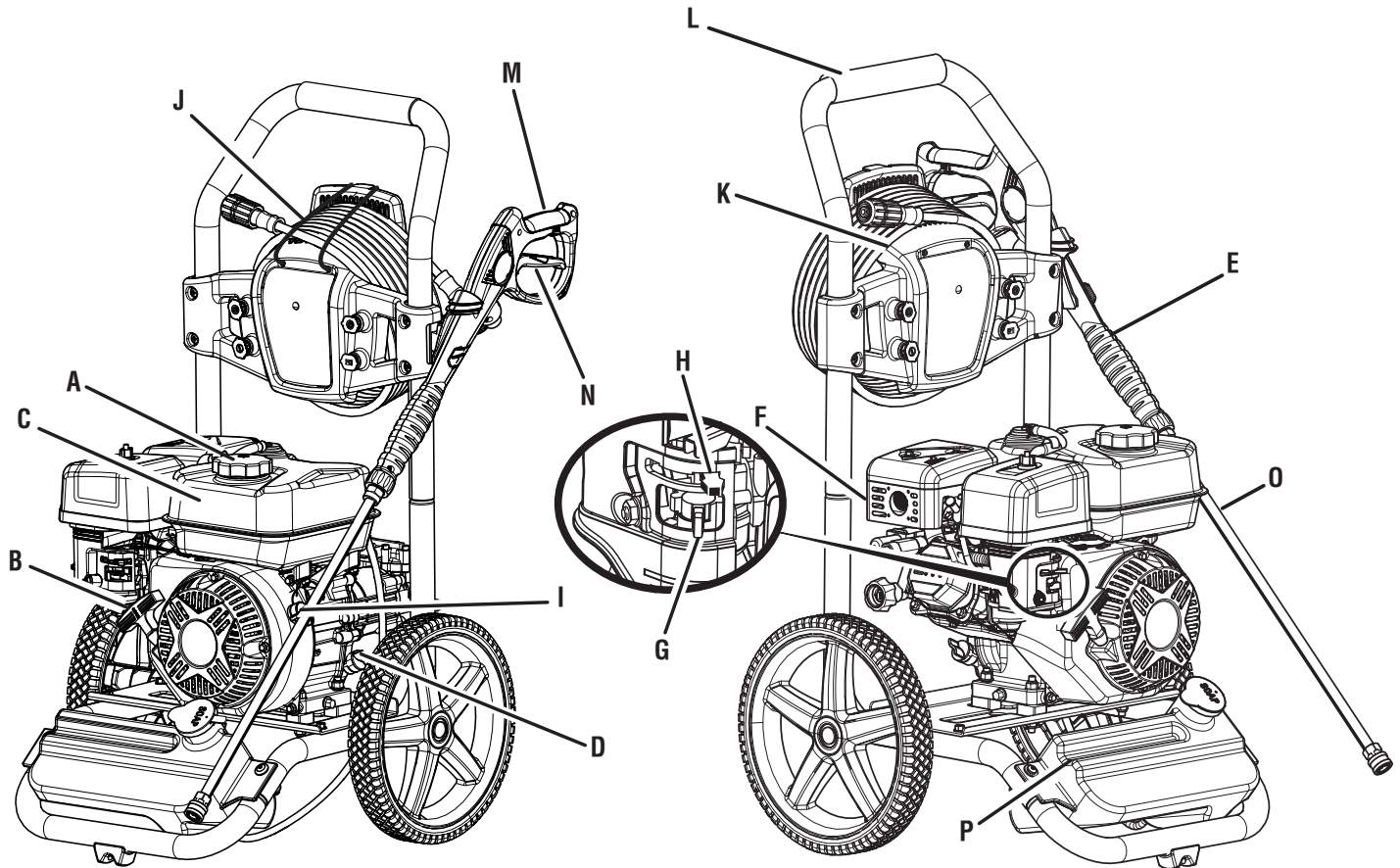
**GUARDE ESTE MANUAL PARA FUTURAS CONSULTAS**

**See this fold-out section for all of the figures referenced in the operator's manual.**

**Consulter l'encart à volets afin d'examiner toutes les figures mentionnées dans le manuel d'utilisation.**

**Consulte esta sección desplegable para ver todas las figuras a las que se hace referencia en el manual del operador.**

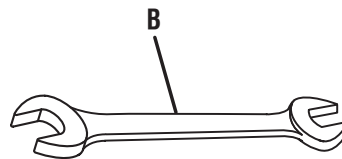
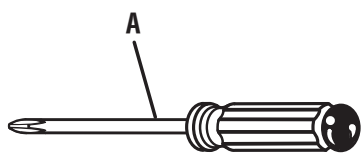
**Fig. 1**



- A - Fuel cap (bouchon du réservoir, tapa del combustible)
- B - Starter grip and rope (poignée du lanceur et corde, mango del arrancador y cuerda)
- C - Fuel tank (réservoir de carburant, tanque de combustible)
- D - Oil cap/dipstick (bouchon / jauge d'huile, tapa del aceite con varilla de nivel)
- E - Gripping surface (surface de prise, superficie de sujeción)
- F - Muffler (silencieux, silenciador)
- G - Fuel valve - (robinet de carburant, válvula de combustible)
- H - Choke lever (levier de volet de départ, palanca del anegador)

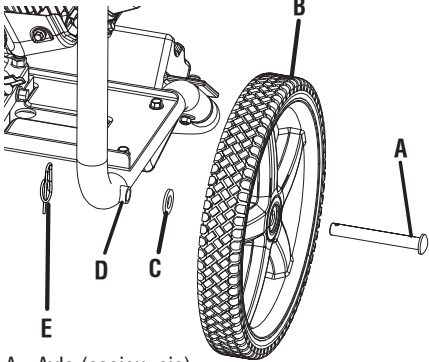
- I - On/off switch (commutateur marche/arrêt, interruptor de encendido/apagado)
- J - High pressure hose (tuyau haute pression, manguera de alta presión)
- K - Hose storage (rangement de tuyau, compartimiento para manguera)
- L - Handle (poignée, mango)
- M - Trigger handle (poignée à gâchette, mango del gatillo)
- N - Trigger with lock out (gâchette avec verrou, gatillo con seguro)
- O - Spray wand (lance de pulvérisation, tubo de rociado)
- P - Soap tank (réservoir de savon, tanque de jabón)

**Fig. 2**

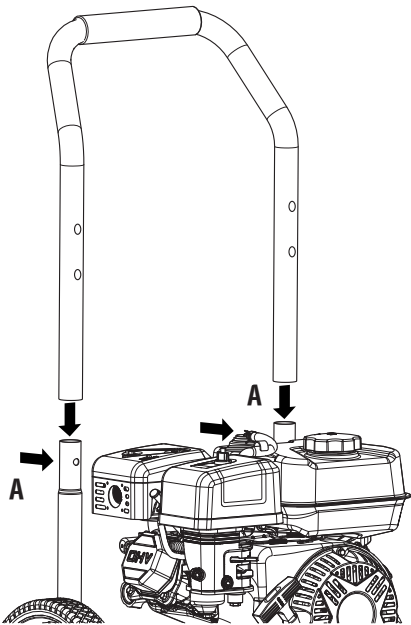


- A - Phillips screwdriver (tournevis cruciforme, destornillador Phillips)

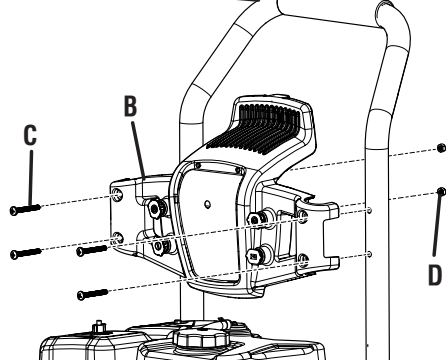
- B - 10 mm wrench (clé de 10 mm, llave de 10 mm)

**Fig. 3**

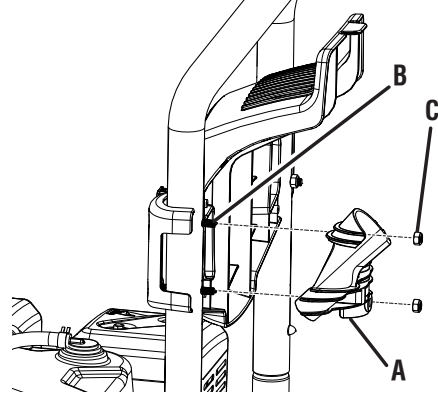
- A - Axle (essieu, eje)  
 B - Wheel (roué, rueda)  
 C - Washer (rondelle, arandela)  
 D - Mounting hole (trou de montage, agujero de montaje)  
 E - Hitch pin (axe de blocage, pasador del enganche)

**Fig. 4**

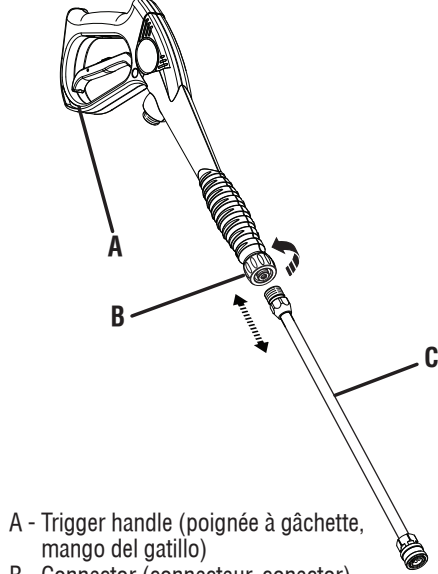
- A - Push to insert (pousser pour insert, presione para insertar)

**Fig. 5**

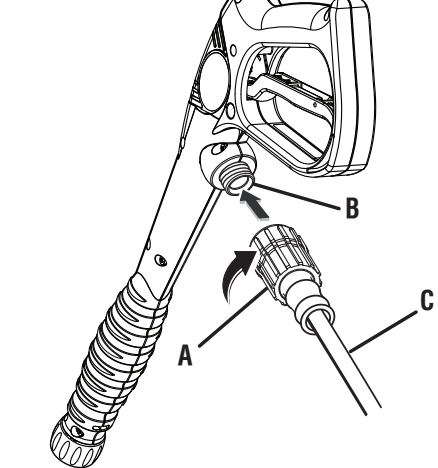
- A - Handle (poignée, mango)  
 B - Storage panel (panneau de rangement, panel de almacenamiento)  
 C - Phillips screw (vis à tête cruciforme, tornillo de Phillips)  
 D - Nut (écrou, tuerca)

**Fig. 6**

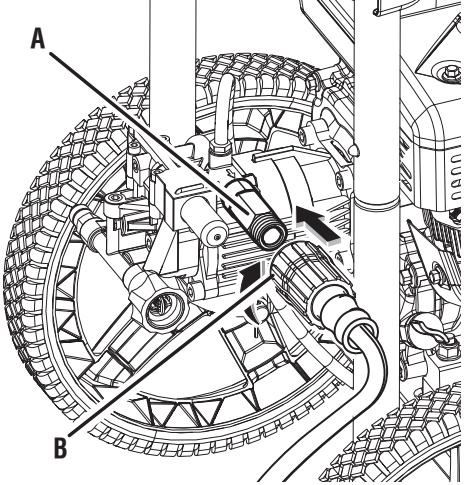
- A - Trigger handle holder (support de poignée à gâchette, sujetadore del mango del gatillo)  
 B - Screw (vis, tornillo)  
 C - Nut (écrou, tuerca)

**Fig. 7**

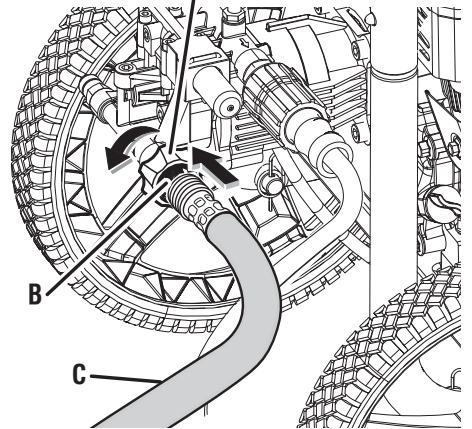
- A - Trigger handle (poignée à gâchette, mango del gatillo)  
 B - Connector (connecteur, conector)  
 C - Spray wand (lance de pulvérisation, tubo de rociado)

**Fig. 8**

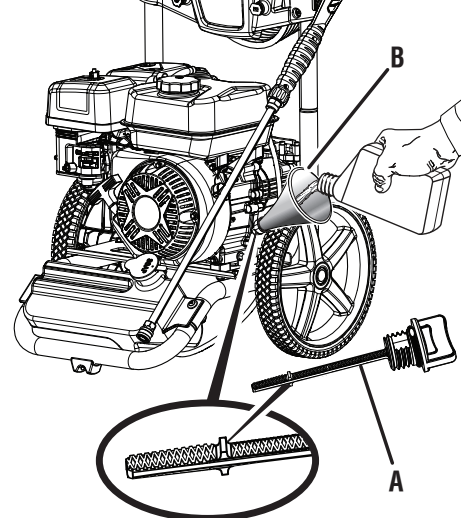
- A - Collar (collier, casquillo)  
 B - Inlet coupler (raccord d'entrée, acoplador de entrada)  
 C - High pressure hose (tuyau haute pression, manguera de alta presión)

**Fig. 9**

- A - Threaded outlet (raccord fileté, salida con rosca)  
 B - Collar (collier, casquillo)

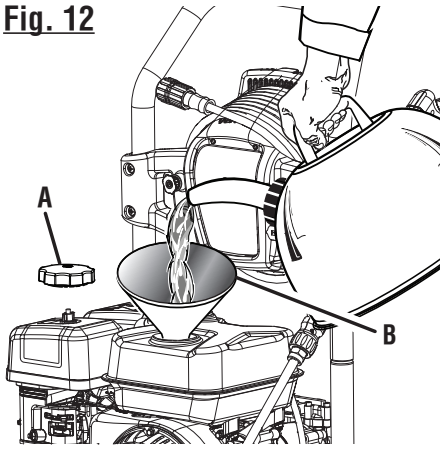
**Fig. 10**

- A - Water intake (prise d'eau, entrada de agua)  
 B - Screen (tamis, cedazo)  
 C - Garden hose (tuyau d'arrosage, manguera de jardín)

**Fig. 11**

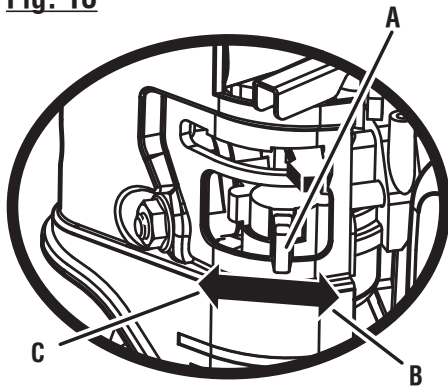
- A - Oil cap/dipstick (bouchon / jauge d'huile, tapa del aceite con varilla de nivel)  
 B - Funnel (entonnoir, embudo)

**Fig. 12**



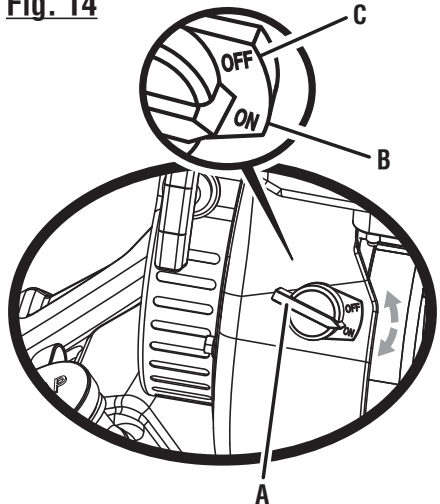
- A - Fuel cap (bouchon de carburant, tapa del tanque de combustible)
- B - Funnel (entonnoir, embudo)

**Fig. 13**



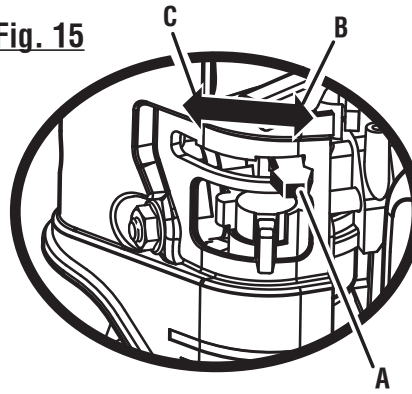
- A - Fuel valve (robinet de carburant, válvula de combustible)
- B - Open (ouverte, abra)
- C - Closed (fermé, cerrado)

**Fig. 14**



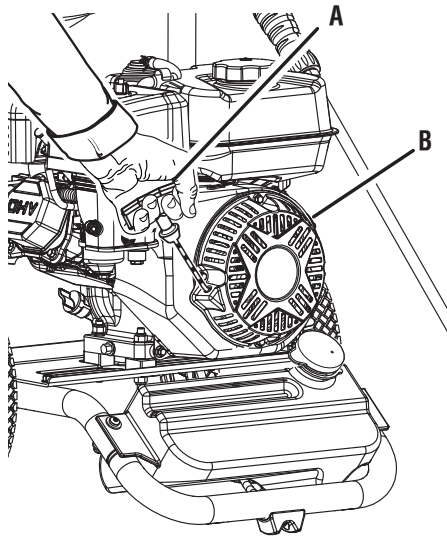
- A - On/off switch (commutateur marche / arrêt, interruptor de encendido/apagado)
- B - On (marche, encendido)
- C - Off (arrêt, apagado)

**Fig. 15**



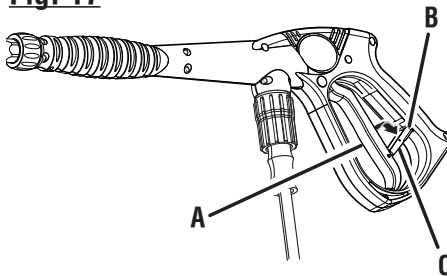
- A - Choke lever (levier de volet de départ, palanca del anegador)
- B - Run (marche, funcionamiento)
- C - Start (démarrage, arranque)

**Fig. 16**



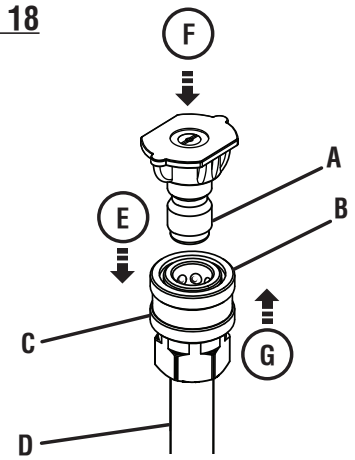
- A - Starter grip and rope (poignée du lanceur avec corde, mango del arrancador y cuerda)
- B - On/off switch (commutateur marche / arrêt, interruptor de encendido/apagado)

**Fig. 17**



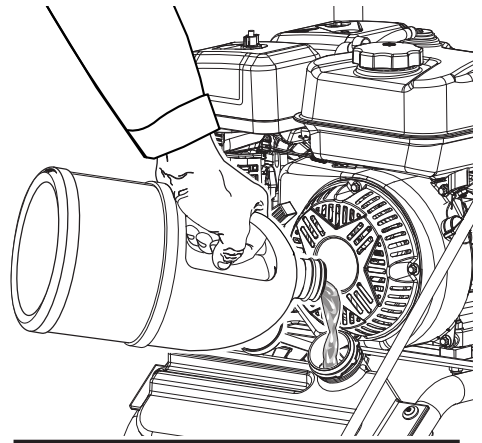
- A - Trigger (gâchette, gatillo)
- B - Slot (encoche, ranura)
- C - Lock out (verrouillage, seguro)

**Fig. 18**

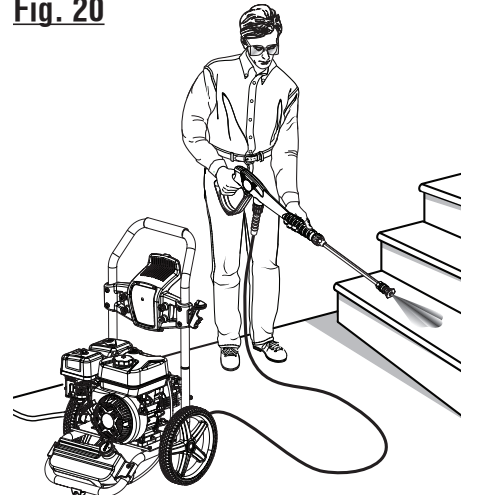


- A - Nozzle (buse, boquilla)
- B - "Click" (déclat, hasta que trabe)
- C - Quick-connect collar (bague à connexion rapide, casquillo de conexión rápida)
- D - Spray wand (lance de pulvérisation, tubo de rociador)
- E - Pull back the quick-connect collar (tirer la bague à connexion rapide, tire del collar de conexión rápida)
- F - Push the nozzle into place (insérer en place la buse, introduzca la boquilla en su lugar)
- G - Push the collar forward (poussez en avant la bague, empuje del collar adelante)

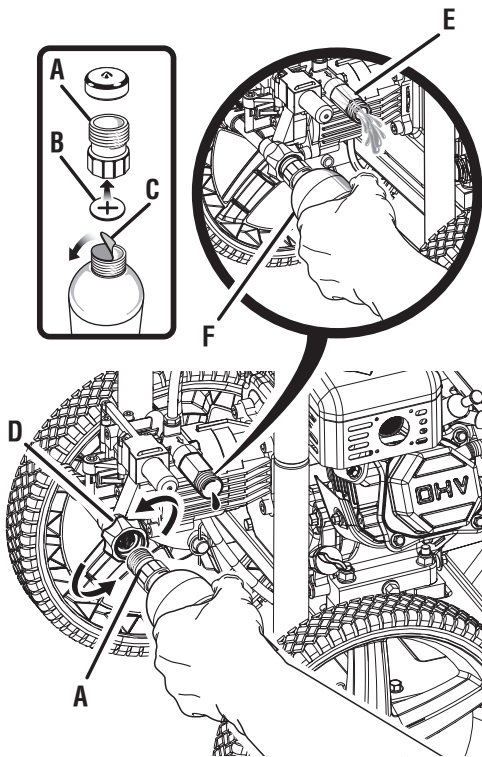
**Fig. 19**



**Fig. 20**

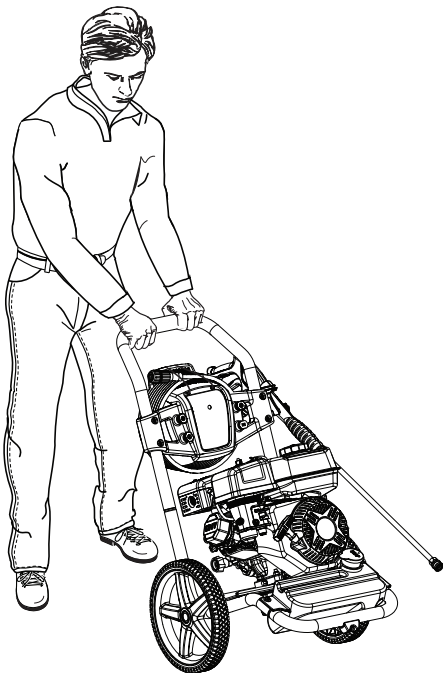


**Fig. 21**



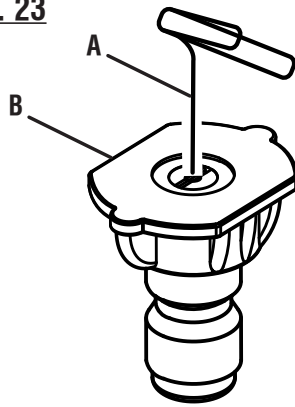
- A - Threaded top (bouchon vissé, parte superior roscada)
- B - Rubber seal (joint de caoutchouc, sello de goma)
- C - Paper seal (sceaux de papier, sello de papel)
- D - Water intake (rise d'eau, entrada de agua)
- E - Pump outlet (sortie de la pompe, orificio de descarga de la bomba)
- F - Pump protector (protecteur de pompe, protector de bomba)

**Fig. 22**



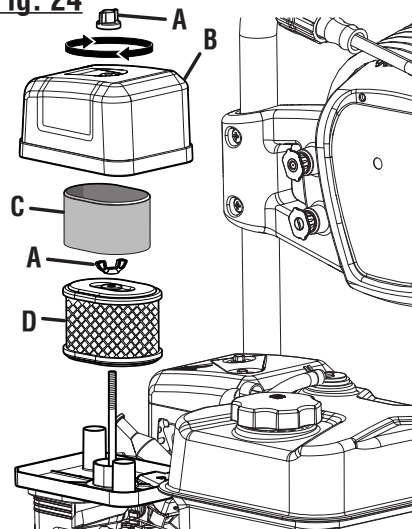
**TO MOVE THE MACHINE  
DÉPLACEMENT DE LA MACHINE  
PARA MOVER LA MÁQUINA**

**Fig. 23**



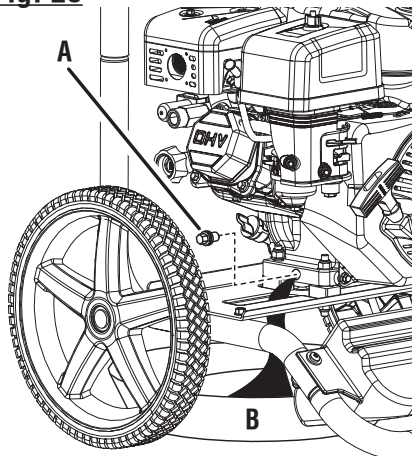
- A - Straightened paper clip (trombone droit, clip para papel abierto)
- B - Nozzle (buse, boquilla)

**Fig. 24**



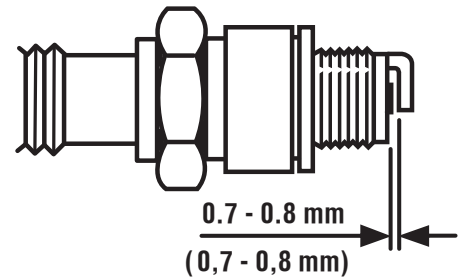
- A - Wing nut (écrou à oreilles, tuerca de mariposa)
- B - Air cleaner cover (couverture de filtre à air, cubierta del limpiador de aire)
- C - Foam filter (filtre de mousse, filtro de espuma)
- D - Paper filter (filtre de papier, filtro de papel)

**Fig. 25**

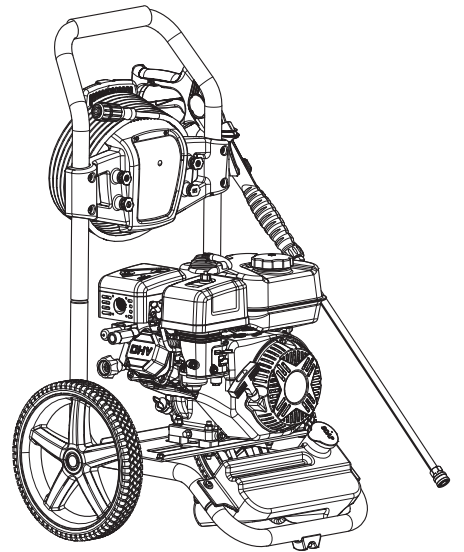


- A - Oil drain plug (huiler le bouchon d'égout, tapón de drenaje del aceite)
- B - Container (récipient, recipiente)

**Fig. 26**



**Fig. 27**



**TO STORE THE MACHINE  
REMISAGE DE LA MACHINE  
PARA GUARDAR LA MÁQUINA**

# IMPORTANT SAFETY INSTRUCTIONS

## **DANGER:**

**Risk of fire and serious burns:** Never remove fuel cap when unit is running. Shut off engine and allow the unit to cool at least five minutes. Remove cap slowly.

## **WARNING:**

**Read and understand all instructions.** Failure to follow all instructions listed below may result in electric shock, fire and/or carbon monoxide poisoning which will cause death or serious personal injury.

## READ ALL INSTRUCTIONS




- **Know your tool.** Read the operator's manual carefully. Learn the machine's applications and limitations as well as the specific potential hazards related to this tool.
- **Keep guards in place** and in working order. Never operate the tool with any guard or cover removed. Make sure all guards are operating properly before each use.
- **Remove adjusting keys and wrenches.** Form habit of checking to see that keys and adjusting wrenches are removed from tool before turning it on.
- **To reduce the risk of injury,** keep children and visitors away. All visitors should wear safety glasses and be kept a safe distance from work area.
- **Keep the area of operation clear of all persons,** particularly small children, and pets.
- **Do not start or operate the engine in a confined space, building, near open windows, or in other unventilated space where dangerous carbon monoxide fumes can collect.** Carbon monoxide, a colorless, odorless, and extremely dangerous gas, can cause unconsciousness or death.
- **Use right tool.** Don't force tool or attachment to do a job it was not designed for. Don't use it for a purpose not intended.
- **Dress properly.** Wear long pants and long sleeves. Do not wear loose clothing, neckties, or jewelry. They can get caught and draw you into moving parts. Rubber gloves and nonskid footwear are recommended when working outdoors. Also wear protective hair covering to contain long hair.
- **Do not operate the equipment while barefoot or when wearing sandals or similar lightweight footwear.** Wear protective footwear that will protect your feet and improve your footing on slippery surfaces.
- **Exercise caution to avoid slipping or falling.**
- **Always wear eye protection with side shields marked to comply with ANSI Z87.1.** Following this rule will reduce the risk of serious personal injury.
- **Don't overreach or stand on a ladder, rooftop, or other unstable support.** Keep proper footing and balance at all times.
- **Use only recommended accessories.** The use of improper accessories may cause risk of injury.
- **Follow the maintenance instructions specified in this manual.**
- **Check damaged parts.** Before further use of the tool, a guard or other part that is damaged should be carefully checked to determine that it will operate properly and perform its intended function. Check for alignment of moving parts, binding of moving parts, breakage of parts, mounting, and any other conditions that may affect its operation. A guard or other part that is damaged must be properly repaired or replaced by a qualified service center to avoid risk of personal injury.
- **Never leave tool running unattended. Turn power off.** Don't leave tool until it comes to a complete stop.
- **Keep the engine free of grass, leaves, or grease** to reduce the chance of a fire hazard.
- **Keep the exhaust pipe free of foreign objects.**
- **Follow manufacturer's recommendations for safe loading, unloading, transport, and storage of machine.**
- **Be thoroughly familiar with controls.** Know how to stop the product and bleed pressure quickly.
- **Keep tool dry, clean, and free from lubricant and grease.** Always use a clean cloth when cleaning. Never use brake fluids, gasoline, petroleum-based products, or any solvents to clean tool.
- **Stay alert and exercise control.** Watch what you are doing and use common sense. Do not operate tool when you are tired. Do not rush.
- **Do not operate the product while under the influence of drugs, alcohol, or any medication.**
- **Check the work area before each use.** Remove all objects such as rocks, broken glass, nails, wire, or string which can be thrown or become entangled in the machine.
- **Do not use tool if switch does not turn it off.** Have switch replaced by a qualified service center.
- **Before cleaning, repairing, or inspecting,** shut off the engine and make certain all moving parts have stopped. Disconnect the spark plug wire, and keep the wire away from the plug to prevent accidental starting.
- **Avoid dangerous environment.** Don't use in damp or wet locations or expose to rain. Keep work area well lit.
- **Never use in an explosive atmosphere.** Normal sparking of the motor could ignite fumes.
- **Do not operate while smoking or near an open flame.**
- **Do not operate around dry brush, twigs, cloth rags, or other flammable materials.**
- **WARNING: Risk of injection or injury** – Do not direct discharge stream at persons.

# SPECIFIC SAFETY RULES










- **Use caution when positioning the pressure washer for use.** Warm air from the engine could cause discolored spots on grass.
- **Never direct a water stream toward people or pets, or any electrical device.**
- **Before starting any cleaning operation,** close doors and windows. Clear the area to be cleaned of debris, toys, outdoor furniture, or other objects that could create a hazard.
- **Never pick up or carry a machine while the engine is running.**
- **Never start the machine** if ice has formed in any part of the equipment.
- **Do not use acids, alkalines, solvents, flammable material, bleaches, or industrial grade solutions** in this product. These products can cause physical injuries to the operator and irreversible damage to the machine.
- **Always operate the machine** on a level surface. If the engine is on an incline, it could seize due to improper lubrication (even at the maximum lubricant level).
- **WARNING: High pressure jets can be dangerous if subject to misuse.** The jet must not be directed at persons, animals, electrical devices, or the machine itself.
- **Hold the trigger handle securely with both hands.** Expect the trigger handle to move when the trigger is pulled due to reaction forces. Failure to do so could cause loss of control and injury to yourself and others.
- **Never attempt to make any adjustments while the engine (motor) is running** (except where specifically recommended by the manufacturer).
- **Protective covers must always cover rotating parts when the engine is running.**
- **Keep cooling air intake** (starter grip and rope area) and muffler side of the engine at least 3 feet away from buildings, obstructions, and other combustible objects.
- **Keep the engine away from flammables and other hazardous materials.**
- **Keep away from hot parts.** The muffler, exhaust gases, and other engine parts become very hot. Do not touch the muffler or place any body parts in the path of hot exhaust gases, which can cause burns and other serious personal injuries.
- **Do not touch the spark plug and ignition cable** when starting and operating the engine.
- **Check fuel hoses and joints** for looseness and fuel leakage before each use.
- **Check bolts and nuts** for looseness before each use. A loose bolt or nut may cause serious engine problems.
- **Always refuel outdoors.** Never refuel indoors or in a poorly ventilated area.
- **Never store the machine with fuel in the fuel tank inside a building** where ignition sources are present, such as hot water and space heaters, clothes dryers, and the like.
- **If the fuel tank has to be drained, do this outdoors into a container approved for gasoline and away from all ignition sources.**
- **To reduce the risk of fire and burn injury,** handle fuel with care. It is highly flammable.
- **Do not smoke while handling fuel.**
- **Add fuel before starting the engine.** Never remove the cap of the fuel tank or add fuel while the engine is running or when the engine is hot.
- **Loosen fuel cap slowly** to release pressure and to keep fuel from escaping around the cap.
- **Replace all fuel tank and container caps securely.**
- **Wipe spilled fuel from the unit.** Move 30 feet away from refueling site before starting engine.
- **If fuel is spilled,** do not attempt to start the engine, but move the machine away from the area of spillage and avoid creating any source of ignition until fuel vapors have dissipated.
- **Never attempt to burn off spilled fuel under any circumstances.**
- **Before storing, allow the pressure washer to cool for 30 minutes and drain fuel from the unit.**
- **Store fuel in a cool, well-ventilated area,** safely away from spark and/or flame-producing equipment.
- **Store fuel in containers** specifically designed for this purpose.
- **Empty fuel tank and restrain the unit from moving** before transporting in a vehicle.
- **When servicing use only recommended or equivalent replacement parts.** Use of any other parts may create a hazard or cause product damage.
- **ONLY use cold water.**
- **Make sure minimum clearance** of 3 feet is maintained from combustible materials.
- **Never spray close to the surface** to be cleaned as you can damage the surface.
- **After stopping the engine, always pull the trigger on the trigger handle to relieve stored pressure in the high pressure hose.** Failure to do so could result in serious personal injury.
- **For outdoor use only.**
- **Ensure the high pressure hose is properly connected before using the product.**
- **Save these instructions.** Refer to them frequently and use them to instruct other users. If you loan someone this tool, loan them these instructions also.

# SYMBOLS

The following signal words and meanings are intended to explain the levels of risk associated with this product.

SYMBOL	SIGNAL	MEANING
	<b>DANGER:</b>	Indicates a hazardous situation, which, if not avoided, will result in death or serious injury.
	<b>WARNING:</b>	Indicates a hazardous situation, which, if not avoided, could result in death or serious injury.
	<b>CAUTION:</b>	Indicates a hazardous situation, that, if not avoided, may result in minor or moderate injury.
	<b>NOTICE:</b>	(Without Safety Alert Symbol) Indicates information considered important, but not related to a potential injury (e.g. messages relating to property damage).

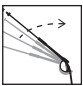


Some of the following symbols may be used on this product. Please study them and learn their meaning for safe operation of this product.

SYMBOL	NAME	EXPLANATION
	Safety Alert	Indicates a potential personal injury hazard.
	Read Operator's Manual	To reduce the risk of injury, user must read and understand operator's manual before using this product.
	Eye Protection	Always wear eye protection with side shields marked to comply with ANSI Z87.1.
	Wet Conditions Alert	Do not expose to rain or use in damp locations, and never direct a water stream toward any electrical device.
	Hot Surface and Exhaust Gases	To reduce the risk of injury or damage, avoid contact with any hot surface and do not place any body parts in the path of hot exhaust gases.
	Risk of Injections	To reduce the risk of injection or injury, never direct a water stream towards people or pets or place any body part in the stream. Leaking hoses and fittings are also capable of causing injection injury. Do not hold hoses or fittings.
	Risk of Explosion	Do not spray flammable liquids. Flammable liquids, fuel, and their vapors are explosive and can cause severe burns or death.
	Risk of Fire	Do not add fuel when the product is operating or still hot. Fire can cause severe burns or death.
	Toxic Fumes	Running this product indoors can result in death due to carbon monoxide, a poison gas you cannot see or smell. Never operate indoors, even if windows and doors are open. Only use outdoors and at least 20 feet away from windows, doors, and openings or vents.



# SYMBOLS

Some of the following symbols may be used on this product. Please study them and learn their meaning for safe operation of this product.

SYMBOL	NAME	EXPLANATION
	Kickback	To reduce the risk of injury from kickback, hold the spray wand securely with both hands when the machine is on.
	Electric Shock	Do not use near electric power lines or receptacle outlets.
	Chemical Burns	To reduce the risk of injury or damage, DO NOT USE ACIDS, ALKALINES, BLEACHES, SOLVENTS, FLAMMABLE MATERIAL, OR INDUSTRIAL GRADE SOLUTIONS in this product.

# FEATURES

## PRODUCT SPECIFICATIONS

Fuel Tank Capacity .....	0.95 gal.
Lubricant Fill Volume .....	14 oz.
Maximum Pounds Per Square Inch Pressure* .....	3,200 psi
Maximum Gallons Per Minute* .....	2.5 gpm
Maximum Inlet Water Temperature .....	104°F
Replacement Spark Plug.....	Torch/LG F7RTC or equivalent

\*Max rating determined by PWMA Standard PW101

## KNOW YOUR PRESSURE WASHER

See Figure 1.

The safe use of this product requires an understanding of the information on the tool and in this operator's manual as well as a knowledge of the project you are attempting. Before use of this product, familiarize yourself with all operating features and safety rules.

## AUTOMATIC SOAP INJECTION SYSTEM

Pour pressure washer detergent into the soap tank to apply detergent quickly and easily to your cleaning project. Use of the soap nozzle will activate the soap injector at a 20:1 dilution ratio.

## FUEL TANK

This fuel tank has a maximum capacity of 0.95 gal. Use unleaded automotive gasoline in the engine.

## HOSE STORAGE

Once the high pressure hose is rolled, hang it on the back of the machine using the stretch strap to secure in place.

## ON/OFF SWITCH

The on/off switch is used in combination with the starter grip and rope to start the engine. It is also used to turn the engine off.

## SOAP NOZZLE

The blue or black soap nozzle is used to apply detergent at low pressure only.

## STARTER GRIP AND ROPE

The starter grip and rope is pulled to start the machine.

## THERMAL RELIEF VALVE

This pump feature will prevent water temperatures from reaching harmful levels by releasing a small amount of water. Once the water has drained, the thermal relief valve will reset itself.

## TRIGGER HANDLE

The trigger handle has a gripping surface that provides added control of the spray wand and helps reduce fatigue.

## TRIGGER WITH LOCK OUT

Pulling the trigger releases a stream of water for high pressure cleaning. The lock out provides protection against unauthorized use.

# ASSEMBLY

## UNPACKING

This product requires assembly.

- Carefully remove the product and any accessories from the box. Make sure that all items listed in the **Packing List** are included.

**NOTE:** This tool is heavy. To avoid back injury, lift with your legs, not your back, and get help when needed.



### WARNING:

Do not use this product if any parts in the **Packing List** are already assembled to your product when you unpack it. Parts on this list are not assembled to the product by the manufacturer and require customer installation. Use of a product that may have been improperly assembled could result in serious personal injury.

- Inspect the tool carefully to make sure no breakage or damage occurred during shipping.
- Do not discard the packing material until you have carefully inspected and satisfactorily operated the tool.
- If any parts are damaged or missing, please call 1-800-860-4050 for assistance.

# ASSEMBLY

## PACKING LIST

Pressure Washer  
25 ft. High Pressure Hose  
Handle  
Trigger Handle  
Spray Wand  
Quick-Connect Nozzles (4)  
Trigger Handle Holder  
Storage Panel  
Screws (4)  
Nuts (4)  
Wheels (2)  
Axles (2)  
Hitch Pins (2)  
Washers (2)  
4-Cycle Engine Lubricant (SAE 30 or SAE 10W30)  
Disposable Funnel  
Operator's Manual

### WARNING:

If any parts are damaged or missing do not operate this tool until the parts are replaced. Use of this product with damaged or missing parts could result in serious personal injury.

### WARNING:

Do not attempt to modify this tool or create accessories not recommended for use with this tool. Any such alteration or modification is misuse and could result in a hazardous condition leading to possible serious personal injury.

### WARNING:

To prevent accidental starting that could cause serious personal injury, always disconnect the engine spark plug wire from the spark plug when assembling parts.

## TOOLS NEEDED

See Figure 2.

The following tools (not included or drawn to scale) are needed for assembly:

- Phillips Screwdriver
- 10 mm Wrench

## INSTALLING THE WHEELS

See Figure 3.

- Locate the axles, hitch pins, washers, and wheels.
- Slide the axle through the hole in the center of the wheel.
- Slide the washer onto the axle.
- Lift the machine and slide the axle into the wheel mounting hole in the machine base as shown.
- Push the hitch pin into the hole on the end of the axle to secure the wheel assembly.

**NOTE:** The hitch pin should be pushed into the axle until the center of the pin rests on top of the axle.

- Repeat with the second wheel.

## INSTALLING THE HANDLE

See Figure 4.

### CAUTION:

Be careful to avoid pinching your fingers or hands when installing the handle onto the frame.

Push and hold the button on the handle as you slide the handle into the holes in the frame.

**NOTE:** Before use, pull the handle up until the lock button snaps through the locking slot to secure the handle in place.

## INSTALLING THE STORAGE PANEL AND TRIGGER HANDLE HOLDER

See Figures 5 - 6.

- Align the holes in the storage panel with the holes in the handle, as shown.
- Insert screws through the left holes (when viewed from front). Install nuts and tighten securely using a Phillips screwdriver and 10 mm wrench (not provided).
- Align the trigger handle holder with the holes in the handle and panel on the opposite side, as shown.
- Insert the remaining screws through the holes, then install the nuts and tighten securely.

## CONNECTING THE SPRAY WAND TO THE TRIGGER HANDLE

See Figure 7.

- Place the threaded end of the spray wand in the connector on the end of the trigger handle.
- Fully tighten the connector to secure the spray wand in place.

# ASSEMBLY

## CONNECTING THE HIGH PRESSURE HOSE TO THE TRIGGER HANDLE

See Figure 8.

- Screw the collar on the high pressure hose into the trigger handle inlet coupler by turning the hose collar clockwise. Tighten securely.  
**NOTE:** Be careful to avoid cross-threading, which can cause the trigger handle to leak during use.
- Pull on the hose to be certain it is properly secured.

## CONNECTING THE HIGH PRESSURE HOSE TO THE PUMP

See Figure 9.

- Completely uncoil and straighten the high pressure hose to prevent kinks.  
**NOTE:** See **Using the High Pressure Hose in Operation** for more information about using the high pressure hose.
- Align the collar on the hose to the threaded outlet on the pump.
- Install the high pressure hose collar onto the threaded outlet.
- Turn the collar clockwise to tighten the hose securely to the pump.  
**NOTE:** Be careful to avoid cross-threading, which can cause the hose to leak during use.
- Pull on the hose to be certain it is properly secured.

## CONNECTING THE GARDEN HOSE TO THE PRESSURE WASHER

See Figure 10.

### **NOTICE:**

Always observe all local regulations when connecting hoses to the water main. Some areas have restrictions against connecting directly to public drinking water supply to prevent the feedback of chemicals into the drinking water supply. Direct connection through a receiver tank or backflow preventer is usually permitted.

The water supply must come from a water main. NEVER use hot water or water from pools, lakes, etc. Before connecting the garden hose to the pressure washer:

- Run water through the hose for 30 seconds to clean any debris from the hose.
- Inspect the screen in the water intake.
- If the screen is damaged, do not use the machine until the screen has been replaced.
- If the screen is dirty, clean it before connecting the garden hose to the machine.

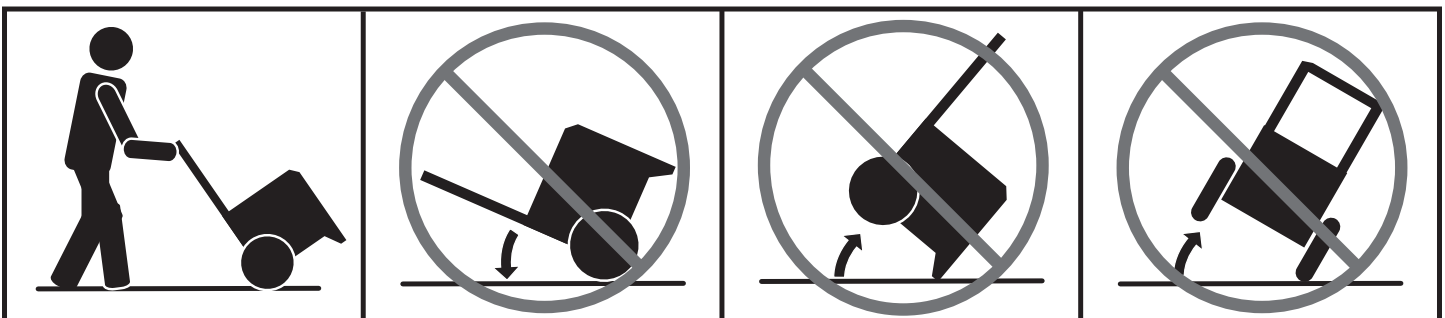
### **To connect the garden hose to the machine:**

- Completely uncoil the garden hose or remove completely from reel to prevent kinks.  
**NOTE:** There must be a minimum of 10 feet of unrestricted hose between the pressure washer intake and the hose faucet or shut off valve (such as a “Y” shut off connector).
- With the hose faucet turned completely off, attach the end of the garden hose to the water intake. Tighten by hand.

### **NOTICE:**

Do not run the pressure washer without water supply connected and turned on, as this may damage the high pressure seals and decrease pump life. Completely unwind the hose from its reel or coil and make sure the hose is not being restricted by tires, rocks, or any other objects that may lessen or prevent water flow to the pressure washer.

## DO NOT OVERTILT THE UNIT!



# OPERATION

## **WARNING:**

Do not allow familiarity with this product to make you careless. Remember that a careless fraction of a second is sufficient to inflict serious injury.

## **WARNING:**

Always wear eye protection with side shields marked to comply with ANSI Z87.1. Failure to do so could result in objects being thrown into your eyes resulting in possible serious injury.

## **WARNING:**

Do not use any attachments or accessories not recommended by the manufacturer of this tool. The use of attachments or accessories not recommended can result in serious personal injury.

## **WARNING:**

Never direct a water stream toward people or pets, or any electrical device. Failure to follow these instructions could result in serious injury, electric shock, or death.

## **WARNING:**

**Risk of serious burns.** Do not touch the muffler or place any body parts in the path of hot exhaust gases, which can cause burns and other serious personal injuries.

## **NOTICE:**

This product is not equipped with a spark arrestor and cannot be used on U.S. forest lands; in addition, product users must comply with Federal, State, and local fire prevention regulations. Check with appropriate authorities.

## **NOTICE:**

Before each use, inspect the entire product for damaged, missing, or loose parts such as screws, nuts, bolts, caps, etc. Tighten securely all fasteners and caps and do not operate this product until all missing or damaged parts are replaced. Please contact customer service or a qualified service center for assistance.

## APPLICATIONS

You may use this tool around the house for cleaning most small to large horizontal or vertical exterior surfaces, smaller exterior objects and structures, and outdoor equipment and tools.\* You can:

- Clean or remove mold and mildew from weathered decks, driveways, patios, walkways, sidewalks, etc.

- Remove dirt from various exterior vertical surfaces such as house exteriors, siding, fences, brick, concrete or stone walls, etc.
- Wash boats, outdoor furniture, powered or non-powered garden equipment, gutters, window screens, grills, playground equipment, etc.

*\*Always test in an inconspicuous area first.*

## ADDING/CHECKING ENGINE LUBRICANT

See Figure 11.

**NOTE:** This machine has been shipped with approximately 2 oz. of lubricant in the engine from testing. **You must add lubricant to the engine before starting it the first time.**

## **NOTICE:**

Any attempt to start the engine without adding lubricant will result in engine failure.

### To add engine lubricant:

- Place pressure washer on a flat, level surface. Do not tilt.
- Unscrew the oil cap/dipstick by turning counterclockwise.
- Before first use, pour all but 2 oz. of the provided lubricant into the engine through the oil fill hole. Check and add additional lubricant as needed until the level reaches the upper portion of the hatched area on the dipstick. **Do not overfill.**
- Replace the oil cap/dipstick and securely tighten.

### To check engine lubricant level:

- Place pressure washer on a flat, level surface. Do not tilt.
- Unscrew the oil cap/dipstick by turning counterclockwise.
- Wipe dipstick clean and re-seat in hole; do not rethread.
- Remove dipstick again and check lubricant level. Lubricant level should fall within the hatched area on the dipstick.
- If level is low, add 4-stroke engine lubricant (SAE 30 or SAE 10W30) until the level reaches the upper portion of the hatched area on the dipstick. **Do not overfill.**
- Replace and secure the oil cap/dipstick.

## **NOTICE:**

Do not overfill. Overfilling the crankcase may cause excessive smoke and engine damage.

## ETHANOL-BLENDED FUELS

## **NOTICE:**

**Do not use E15 or E85 fuel in this product. It is a violation of federal law and will damage the unit and void your warranty. Only use unleaded gasoline containing up to 10% ethanol.**

# OPERATION

## ADDING GASOLINE TO THE FUEL TANK

See Figure 12.

### **DANGER:**

**Risk of fire and serious burns:** Never remove fuel cap when unit is running. Shut off engine and allow the unit to cool at least five minutes. Remove cap slowly.

### **WARNING:**

Gasoline and its vapors are highly flammable and explosive. To prevent serious personal injury and property damage, handle gasoline with care. Keep away from ignition sources, handle outdoors only, do not smoke while adding fuel, and wipe up spills immediately.

### **WARNING:**

Always shut off engine before fueling. Never remove fuel cap or add fuel to a machine with a running or hot engine. Make sure the unit is sitting on a flat, level surface and only add fuel outdoors. If the engine is hot, let the unit cool for at least five minutes before adding fuel. After fueling, immediately replace fuel cap and tighten securely. Move at least 30 ft. from refueling site before starting engine. Do not smoke and stay away from open flames and sparks! Failure to follow these instructions could result in a fire and cause serious personal injury.

### **WARNING:**

Check for fuel leaks. A leaking fuel cap, tank, or line is a fire hazard and must be replaced immediately. If you find any leaks, correct the problem before using the product. Failure to do so could result in a fire that could cause serious personal injury.

**NOTE: This is a 4-cycle engine. DO NOT mix fuel and lubricant together.**

- Move the fuel valve to the CLOSED position.
- Mix fuel stabilizer with gasoline according to fuel stabilizer manufacturer's directions.
- Before removing the fuel cap, clean the area around it. Remove the fuel cap.
- Insert a clean funnel into the fuel tank then slowly pour gasoline into the tank. Fill tank to approximately 1-1/2 in. below the top of the tank neck (this allows for fuel expansion).
- Replace fuel cap and tighten securely.
- Clean up any spills before starting the engine.

## STARTING AND STOPPING THE PRESSURE WASHER

See Figures 13 - 16.

### **NOTICE:**

Do not run the pressure washer without water supply connected and turned on, as this may damage the high pressure seals and decrease pump life. Completely unwind the hose from its reel or coil and make sure the hose is not being restricted by tires, rocks, or any other objects that may lessen or prevent water flow to the pressure washer.

### **Before starting the engine:**

- Connect all hoses.  
**NOTE:** Make sure the pressure washer's water intake screen is in place and unclogged before connecting garden hose.
- Check all fluids (lubricant and gas).
- Turn on the garden hose then squeeze the trigger to relieve air pressure; hold the trigger until a steady stream of water appears.  
**NOTE:** Make sure the faucet is turned on fully and that there are no kinks or leaks in the hose.

### **To start the engine:**

- Move the fuel valve to the OPEN position.
- Put the on/off switch in the ON position.
- Move the choke to the START position.  
**NOTE:** If restarting after a brief stop (i.e., after refueling or moving), leave the choke lever in the RUN position.
- Grasp the starter grip and pull slowly until resistance is felt. Give the starter grip a short, brisk pull to start the engine.  
**NOTE:** Do not allow the starter grip and rope to snap back after starting; return it gently to its original place.

### **NOTICE:**

If the starter grip and rope becomes difficult to pull, squeeze the trigger to relieve water pressure before attempting to start the engine again.

- Allow the engine to run for 5 seconds, then push the choke to the RUN position.

### **NOTICE:**

Routinely make a visual inspection of the pump and engine during use. If you notice any lubricant leaking around the pump or engine seals, stop using the pressure washer immediately. Contact customer service or a qualified service center for repair. Failure to do so may cause property damage.

### **To stop the engine:**

- Put the on/off switch in the OFF position.

# OPERATION

- Move the fuel valve to the CLOSED position.

**NOTE:** Shutting off the engine will not relieve pressure in the system. **Pull trigger to release water pressure.**

## ⚠ WARNING:

While operating and storing, keep at least 3 feet of clearance on all sides of this product, including overhead. Allow a minimum of 30 minutes of “cool down” time before storage. Keep all body parts, clothing, combustible materials, and hoses away from the muffler. Heat created by muffler and exhaust gases could be hot enough to cause serious burns, ignite combustible objects, and/or damage high pressure hoses that can result in an injection injury.

## USING THE TRIGGER HANDLE

See Figure 17.

## ⚠ WARNING:

Hold the trigger handle securely with both hands. Expect the trigger handle to move when the trigger is pulled due to reaction forces. Failure to do so could cause loss of control and injury to yourself and others.

- Pull back and hold the trigger to operate the pressure washer.
- Release the trigger to stop the flow of water through the nozzle.

### To engage the lock out:

- Push up on the lock out until it clicks into the slot.

### To disengage the lock out:

- Push the lock out down and into its original position.

Start with the nozzle 1–2 ft. away from the cleaning surface and carefully approach the surface just until the desired level of cleaning is achieved. If the spray is too close it can damage the cleaning surface.

## SELECTING THE RIGHT NOZZLE FOR THE JOB

See Figure 18.

Each of the nozzles has a different spray pattern. Before starting any cleaning job, determine the best nozzle for the job. Refer to the **Nozzle Selection Guide** for more information about which nozzle to choose.

## NOZZLE SELECTION GUIDE

		HIGH PRESSURE (NO SOAP WHEN USING THESE NOZZLES)			LOW PRESSURE (FOR SOAP OR GENTLE RINSE)		
0°	25°	40°	SOAP	0° Red	25° Green	40° White	Blue or Black Soap Nozzle
				↓	▼	▼	
Concrete, Brick, Masonry				✓	✓	✓	✓
Siding, Gutters, House					✓	✓	✓
Fencing, Deck, Patio					✓	✓	✓
Lawn Equipment, Boat, RV					✓	✓	✓

✓ Recommended Nozzle    ✓ Use With Caution for Certain Applications

# OPERATION

## **WARNING:**

NEVER remove nozzles without first turning off the engine, relieving the water pressure in the trigger handle, and locking the lock out on the trigger handle. NEVER point the nozzle at your face or at others. The quick-connect feature contains small springs that could eject the nozzle with some force. Failure to follow these instructions could result in an eye injury or other serious personal injury.

### **To connect a nozzle to the spray wand:**

- Turn off the pressure washer and shut off the water supply. **Pull trigger to release water pressure.**
- Engage the lock out on the trigger handle by pushing up on the lock out until it clicks into the slot.
- Pull back the quick-connect collar.
- Push the nozzle into place in the spray wand.
- Push the collar forward so that the nozzle is secured properly. Check to see that the nozzle is secure.

### **To disconnect a nozzle from the spray wand once the cleaning job is complete:**

- Turn off the pressure washer and shut off the water supply. **Pull trigger to release water pressure.**
- Engage the lock out on the trigger handle by pushing up on the lock out until it clicks into the slot.
- Pull back and hold the quick-connect collar.
- Remove the nozzle by pulling it from the quick-connect collar. Place nozzle in the nozzle storage area on the top of the machine.

## **USING THE HIGH PRESSURE HOSE**

## **WARNING:**

Injection hazard. Fully unwrap and straighten high pressure hose prior to and during each use and do not allow it to become kinked. The high pressure hose features an outer covering that provides strength to the hose. If the outer covering becomes damaged, stop using the hose and replace it immediately. A kinked or damaged hose can develop a high pressure leak and result in a possible injection or other serious personal injury.

### **To prevent damage to the outer covering:**

- Inspect the hose before every use.
- Fully unwrap and straighten hose before use.
- Do not allow the high pressure hose to be kinked.
- Keep hose away from hot surfaces and sharp edges.
- Do not pull unit by high pressure hose.
- Do not allow hose to be crushed or wrapped around objects.

## **WASHING WITH DETERGENT**

See Figures 19 - 20.

As sold, this unit is designed for use with “downstream” pressure washer detergents. To convert for use with “upstream” detergents, contact customer service or a qualified service center for more information.

## **NOTICE:**

**USE ONLY DETERGENTS DESIGNED FOR PRESSURE WASHERS.** Do not use household detergents, acids, alkalines, bleaches, solvents, flammable material, or industrial grade solutions, which can damage the pump or cause property damage. Many detergents may require mixing prior to use. Prepare cleaning solution as instructed on the solution bottle. Always test in an inconspicuous area before beginning.

- Remove the cap from the soap tank and pour pressure washer detergent in the tank. Replace cap on tank.

**NOTE:** The machine setting of this unit is 20:1, which usually allows the use of 1 gallon pressure washer detergent without further dilution. Check your detergent instructions to be sure additional dilution is not necessary.

- Install the blue or black soap nozzle on the spray wand.
- Squeeze the trigger and wait approximately 5 seconds for the detergent to appear.
- Spray the detergent on a dry surface using long, even, overlapping strokes. To prevent streaking, do not allow detergent to dry on the surface.

### **Before shutting off the engine:**

- Fill the soap tank with clean water.
- Spray the clear water through the spray wand until the tank is empty.
- If any detergent remains in the spray, repeat with a second tank of clean water.
- Shut off the engine.

**NOTE:** Shutting off the engine will not relieve pressure in the system. **Pull trigger to release water pressure.**

## **RINSING WITH THE PRESSURE WASHER**

- Turn off the pressure washer and shut off the water supply. **Pull trigger to release water pressure.**
- Engage the lock out on the trigger handle by pushing up on the lock out until it clicks into the slot.
- Remove the soap nozzle and place in the nozzle storage area.
- Select the right nozzle for the job. See the chart shown earlier in the manual to select the appropriate nozzle.
- Start at the top of the area to be rinsed and work down, overlapping the strokes.



# OPERATION

## USING PUMP PROTECTOR

See Figure 21.

Regular use of a commercially available pump protector prolongs the life of the pressure washer by removing hard water mineral deposits, lubricating pump seals and pistons, and preventing freeze damage. Pump protector should be added to the unit after every use and before storage. Pump protector can be purchased at the retailer where you purchased your pressure washer, or by calling customer service.

The instructions that follow are typical for adding pump protector but you should always verify the specific instructions provided by the manufacturer of the pump protector used.

- Turn off the pressure washer engine and shut off the water supply. **Pull trigger to release water pressure.**
- Disconnect garden hose and high pressure hose.
- Unscrew threaded top from pump protector bottle and remove paper seal from bottle. Reinstall top on bottle and tighten securely.  
**NOTE:** The rubber seal should remain inside the threaded top. If it comes out, be sure to replace before reinstalling the top.
- Remove bottle cap and attach threaded end of bottle securely to pressure washer pump water intake.
- Squeeze bottle to inject contents into pump.
- With engine switch off, pull starter grip and rope to cycle pump, then squeeze bottle again to guarantee complete coverage.
- Pump is protected when the protector fluid exits the pump outlet.

## MOVING THE PRESSURE WASHER

See Figure 22.

**NOTE:** Never lift or carry this product using the handle and never place the unit in any position other than upright on its wheels.

- Turn the pressure washer off.
- Tilt the machine toward you slightly until it balances on the wheels then roll the machine to the desired position. Do not tilt forward or sideways when moving.
- DO NOT attempt to move the unit by pulling on any of the hoses.

## HIGH ALTITUDE OPERATION

Your engine is configured for operation below 3,000 feet altitude at the factory. Your engine must be reconfigured for operation above 3,000 feet altitude. Operating the engine with the wrong engine configuration at a given altitude may increase its emissions, decrease fuel efficiency, degrade performance, and cause irreversible damage. Engines configured for high altitude operation cannot be operated in standard altitude conditions. A qualified service center should ensure that your engine is properly configured for your location.

# MAINTENANCE

Normal maintenance, replacement or repair of emission control devices and systems may be performed by any qualified repair establishment or individual with original or equivalent parts. Warranty and recall repairs must be performed by an authorized service center; please contact customer service for assistance.

### **WARNING:**

Before inspecting, cleaning or servicing the machine, shut off engine, wait for all moving parts to stop, and disconnect spark plug wire and move it away from spark plug. Allow 30 minutes of cool down time before performing any maintenance. Failure to follow these instructions can result in serious personal injury or property damage.

### **WARNING:**

Always wear eye protection with side shields marked to comply with ANSI Z87.1. Failure to do so could result in objects being thrown into your eyes resulting in possible serious injury.

### **WARNING:**

When servicing, use only recommended or equivalent replacement parts. Use of any other parts could create a hazard or cause product damage.

# MAINTENANCE

## NOTICE:

This product is not equipped with a spark arrestor and cannot be used on U.S. forest lands; in addition, product users must comply with Federal, State, and local fire prevention regulations. Check with appropriate authorities.

## NOTICE:

Periodically inspect the entire product for damaged, missing, or loose parts such as screws, nuts, bolts, caps, etc. Tighten securely all fasteners and caps and do not operate this product until all missing or damaged parts are replaced. Please contact customer service or a qualified service center for assistance.

## GENERAL MAINTENANCE

Avoid using solvents when cleaning plastic parts. Most plastics are susceptible to damage from various types of commercial solvents and may be damaged by their use. Use clean cloths to remove dirt, dust, oil, grease, etc.

## WARNING:

Do not at any time let brake fluids, gasoline, petroleum-based products, penetrating oils, etc., come in contact with plastic parts. Chemicals can damage, weaken or destroy plastic which could result in serious personal injury.

Before running the engine, perform the following pre-operation steps:

- Check that all bolts, nuts, etc., are securely tightened.
- Make sure the air filter is clean.
- Check both the engine lubricant level and the fuel tank level; refill as needed.
- Inspect the work area for hazards.
- If there is excessive noise or vibration, stop the unit immediately.

## NOZZLE MAINTENANCE

See Figure 23.

Excessive pump pressure (a pulsing sensation felt while squeezing the trigger) may be the result of a clogged or dirty nozzle.

- Turn off the pressure washer and shut off the water supply. **Pull trigger to release water pressure.**
- Remove the nozzle from the spray wand.

## WARNING:

NEVER remove nozzles without first turning off the engine, and locking the lock out on the trigger handle. NEVER point the nozzle at your face or at others. The quick-connect feature contains small springs that could eject the nozzle with some force. Failure to follow these instructions could result in an eye injury or other serious personal injury.

- To free any foreign materials clogging or restricting the nozzle, blow out or remove debris with a straightened paper clip or fine needle (not included).
- Using a garden hose, flush debris out of nozzle by back flushing (running the water through the nozzle backwards or from the outside to the inside).
- Reconnect the nozzle to the spray wand.
- Turn on the water supply and start the engine.

## CLEANING/REPLACING THE AIR FILTER

See Figure 24.

A dirty air filter will cause starting difficulty, loss of performance, and shorten the life span of the engine. Check the air filter monthly. For best performance, replace the paper air filter at least once a year.

- Remove the wing nut from the air cleaner cover, then remove the cover.
- Remove the wing nut from the air cleaner assembly, then remove the air cleaner assembly.
- Separate the foam filter from the paper filter. Inspect both filters and replace if damaged.
- To clean the paper filter, use compressed air or tap the paper filter element several times on a hard surface to remove dirt.
- Clean the foam filter with warm soapy water. Rinse and let dry.
- Apply a light coat of engine lubricant to the foam filter element, then squeeze it out.
- Reinstall the foam filter over the paper filter.
- Reinstall the air cleaner assembly, then reinstall the wing nut to secure.

**NOTE:** Make sure the gasket is in place before reinstalling the air cleaner assembly.

- Using a damp cloth, wipe the inside of the air cleaner cover. Take care not to allow dust to enter the carburetor.
- Reinstall the air cleaner cover, then reinstall the wing nut to secure.

**NOTE:** Do not run the pressure washer without the air cleaner assembly in place. Rapid engine wear will result.

# MAINTENANCE

## CHANGING ENGINE LUBRICANT

See Figure 25.

- Shut off the engine.
- Clean the area around the oil cap/dipstick, then remove the oil cap/dipstick.

**NOTE:** Remove the dipstick to allow lubricant to drain easier and more quickly.

- Disconnect the spark plug wire from the engine.
- To drain the lubricant, remove the drain plug from the bottom of the engine. Drain lubricant into an approved container, then reinstall drain plug and tighten securely.

**NOTE:** Drain the lubricant while the engine is still warm but not hot. Warm lubricant will drain quickly and more completely.

### **WARNING:**

Do not change engine lubricant while it is hot. Accidental contact with hot engine lubricant could result in serious burns.

- Fill with lubricant following the instructions in **Adding/Checking Engine Lubricant** earlier in this manual. For amount of lubricant needed to refill, see **Product Specifications** earlier in this manual or the accompanying engine manual, if applicable.
- Before using the pressure washer, check to ensure that no lubricant is leaking from the engine.

**NOTE:** Consult hazardous waste management guidelines in your area for the proper way to dispose of used lubricant.

## CHECKING SPARK PLUG

See Figure 26.

- Clean the area around the base of the spark plug before removing to keep dirt and debris out of the engine. Remove spark plug.
- Clean off carbon deposits on the spark plug electrode using a plug cleaner or wire brush. Replace the plug if worn or reuse is questionable. For replacement spark plug, see **Product Specifications** earlier in this manual or the accompanying engine manual, if applicable.
- Check electrode gap. The gap should be 0.7 - 0.8 mm. Adjust the gap, if necessary, by carefully bending the ground electrode.
- Check the condition of the spark plug gasket.
- Reinstall spark plug. Start the spark plug in its threads by hand and finger-tighten.
- Tighten with wrench to compress washer. If spark plug is new, use 1/2 turn to compress washer appropriate amount. If reusing old spark plug, use 1/8 to 1/4 turn for proper washer compression.

**NOTE:** An improperly tightened spark plug will become very hot and could damage the engine.

## PUMP LUBRICATION

The pump on this product was lubricated with a sufficient amount of high grade lubricant for the life of the unit under normal operating conditions. Therefore, no further lubrication is required.

## PUMP MAINTENANCE

Routinely make a visual inspection of the pump. If you notice any leaking of lubricant around the pump seals, take the pressure washer to a qualified service center for repair.

There are no user serviceable parts to the pressure washer pump. Any attempt to service or alter the pump may damage the pressure washer and void your product warranty.

## STORING THE PRESSURE WASHER

See Figure 27.

**NOTE: Regular use of fuel stabilizer and pump protector will give you better performance of the unit and increase the life of the pump.**

### **WARNING:**

While storing, keep at least 3 feet of clearance on all sides of this product, including overhead. Allow a minimum of 30 minutes of "cool down" time before storage. Heat created by muffler and exhaust gases could be hot enough to ignite combustible objects.

Store in a dry, covered area where the weather can't damage it. It is important to store this product in a frost-free area. Always empty water from all hoses, the pump, and the soap tank before storing.

- Drain the fuel tank completely by running the pressure washer until the gas runs out. Stored gas can go stale in 30 days.

**NOTE:** Make sure the water supply is connected and turned on when allowing the pressure washer engine to run.

- Make sure the on/off switch is OFF and fuel valve is CLOSED.
- Disconnect both the high pressure hose and the garden hose from the pump.
- Empty the pump by pulling on the starter grip and rope about 6 times. This should remove most of the liquid from the pump.

### **NOTICE:**

If the location where your pressure washer is stored will fall below 32°F, the use of a pump protector is required before storing to prevent freeze damage. Freeze damage will void your warranty.

- Drain the lubricant and replace with fresh, clean lubricant as described in **Adding/Checking Engine Lubricant** in the *Operation* section of this manual.

# MAINTENANCE

- Disconnect spark plug wire and remove the spark plug. Pour about a teaspoon of clean, air-cooled, four-cycle lubricant through the spark plug hole into the combustion chamber.
- Leaving the spark plug out, pull the starter grip and rope two or three times to coat the inside of the cylinder wall.
- Inspect the spark plug and clean or replace, as necessary.
- Reinstall the spark plug, but leave the spark plug wire disconnected.
- Clean the air filter.
- Extend the starter grip and rope to check its condition. If the rope is frayed, have it replaced immediately by a qualified service center.

- Remove all hoses. Coil the hoses and store as shown. Do not allow the hose to become kinked.
- Store the unit and accessories in an area that does not reach freezing temperatures. Do not store near furnace or other sources of heat that could dry out the pump seals.

## PREPARING FOR USE AFTER STORAGE

- Pull the starter grip and rope three or four times to clean lubricant from the combustion chamber.
- Remove spark plug from the cylinder. Wipe lubricant from the spark plug and return it to the cylinder.
- Reconnect the spark plug wire.
- Refuel the machine as described earlier in the operator's manual.

## PERIODIC MAINTENANCE SCHEDULE TABLE

**NOTE:** If a separate engine manual is provided for this pressure washer, please follow the maintenance schedule provided in the engine manual instead of the maintenance information listed below.

Maintenance Items	Each use	Weekly	5 hrs	25 hrs	50 hrs	200 hrs
Check for water leaks under manifold, into crankcase	X					
Plumbing		X				
Clean engine and check nuts and bolts	X					
Check and refill engine lubricant	X					
Check water inlet filter placement <sup>2</sup>	X					
Add fuel stabilizer	X					
Add pump protector	X					
Change engine lubricant <sup>1</sup>			X		X	
Check spark plug					X	
Clean air filter				X		
Replace air filter element						X
Clean and adjust spark plug and electrodes					X	
Replace spark plug						X

<sup>1</sup> Initial lubricant change should be performed after first 5 hours of operation. Thereafter, change lubricant every 50 hours.

<sup>2</sup> If water inlet filter is missing or damaged, it must be replaced. See Replacement Parts List available online or call customer service for part number to order.

**NOTE:** If you are not sure how to perform any of the maintenance items listed above, take the unit to a qualified service center to have the maintenance item performed.

**This product has a Three-year Limited Warranty for personal, family, or household use (90 days for business or commercial use). For warranty details, visit [www.ryobitools.com](http://www.ryobitools.com) or call (toll free) 1-800-860-4050.**

# TROUBLESHOOTING

PROBLEM	POSSIBLE CAUSE	SOLUTION
Engine fails to start	No fuel in tank Water pressure in hose Spark plug shorted or fouled Spark plug is broken (cracked porcelain or electrodes broken) Ignition lead wire shorted, broken, or disconnected from spark plug Ignition inoperative Choke in wrong position  Engine is flooded	Fill tank Squeeze trigger to relieve water pressure. Replace spark plug Replace spark plug Replace lead wire or attach to spark plug Contact a qualified service center Move choke to START position to start a cold engine. If engine is warm, choke should be in RUN position Move choke to RUN position and pull the starter grip and rope repeatedly until the engine starts
Engine hard to start	Water in gasoline Weak spark at spark plug	Drain entire system and refill with fresh fuel Contact a qualified service center
Engine lacks power	Dirty air filter	Clean or replace air filter
Detergent fails to mix with spray	High pressure nozzle attached  Soap tank is empty	Use blue or black soap nozzle to apply detergent Add detergent to soap tank
Pump doesn't produce pressure	Low pressure nozzle installed Inadequate water supply Trigger handle or spray wand leaks  Nozzle is clogged Air in line Hose is leaking Kink in hose Pump is faulty	Replace with high pressure nozzle Provide adequate water flow Check connections and / or replace trigger handle or spray wand Clean nozzle Squeeze trigger on trigger handle to remove air from line Replace hose Eliminate kinks in hose Contact a qualified service center
Machine doesn't reach high pressure	Diameter of garden hose is too small Water supply is restricted  Not enough inlet water Wrong nozzle is attached	Replace with 3/4 in. garden hose Check garden hose for kinks, leaks, and blockages Open water source full force Attach the high pressure nozzle

If problem persists after trying the above solutions, contact customer service or a qualified service center for assistance.

## **NOTICE:**

As the equipment owner, you are responsible for the performance of the required maintenance listed in the *Maintenance* section. It is recommended that you retain all receipts covering maintenance on your equipment. Neglecting or failing to perform the required maintenance may increase emissions, decrease fuel efficiency, degrade performance, cause irreversible engine damage and/or void your warranty.

# INSTRUCTIONS IMPORTANTES CONCERNANT LA SÉCURITÉ

## DANGER :

**Risque d'incendie et de blessures graves :** Ne jamais retirer le capuchon du réservoir d'essence pendant que l'appareil fonctionne. Éteindre le moteur et laisser refroidir l'appareil pendant au moins cinq minutes. Retirer lentement le capuchon.

## AVERTISSEMENT :

**Lire attentivement toutes les instructions.** Le non-respect de toutes les instructions ci-dessous peut entraîner un choc électrique, un incendie et/ou une intoxication par le monoxyde de carbone, ce qui peut causer des blessures graves voire la mort.

## LIRE TOUTES LES INSTRUCTIONS




- **Apprendre à connaître l'outil.** Lire attentivement le manuel d'utilisation. Apprendre les applications et les limites de l'outil, ainsi que les risques spécifiques relatifs à son utilisation.
- **Maintenir tous les dispositifs de protection en place** et en bon état de fonctionnement. Ne jamais utiliser l'outil avec des couvercles ou dispositifs de protection retirés. S'assurer que tous les dispositifs de protection fonctionnent correctement avant chaque utilisation.
- **Retirer les clés et outils de réglage.** Prendre l'habitude de vérifier que tous les outils et clés de réglage en ont été retirés de l'outil avant de le mettre en marche.
- **Pour réduire les risques de blessures,** garder les enfants et visiteurs à l'écart. Tous les visiteurs doivent porter des lunettes de sécurité et se tenir à bonne distance de la zone de travail.
- **Ne laisser personne approcher la zone de travail,** particulièrement les petits enfants et les animaux domestiques.
- **Ne pas démarrer ou faire tourner le moteur dans un espace confiné, de bâtiment, à proximité des fenêtres ouverts, autre ou des zones sans ventilation où des vapeurs toxiques de monoxyde de carbone peuvent s'accumuler.** Le monoxyde de carbone, un gaz incolore, inodore et extrêmement toxique peut causer une perte de conscience et être mortel.
- **Utiliser l'outil approprié.** Ne pas utiliser l'outil ou un accessoire pour effectuer un travail pour lequel il n'est pas conçu. Ne pas utiliser l'outil pour une application non prévue.
- **Porter une tenue appropriée.** Porter des pantalons longs et manches longues. Ne pas porter de vêtements amples, cravate ou bijoux. Ces articles pourraient être happés et tirer la main ou une partie du corps dans les pièces en mouvement. Des gants en caoutchouc et des chaussures antidérapantes sont recommandées pour le travail à l'extérieur. Les cheveux longs doivent être ramassés sous un couvre-chef.
- **Ne pas faire fonctionner l'équipement pied-nu ou en portant des sandales ou des chaussures légères similaires.** Porter des chaussures de sécurité protégeant les pieds et améliorant l'équilibre sur des surfaces glissantes.
- **Faire preuve de prudence pour éviter de glisser ou tomber.**
- **Toujours porter une protection oculaire avec écrans latéraux certifiée conforme à la norme ANSI Z87.1.** Le respect de cette règle réduira les risques de blessures graves.
- **Ne pas travailler hors de portée ou se tenir sur une échelle, un échafaudage, un toit ou un surface instable.** Toujours se tenir bien campé et en équilibre.
- **N'utiliser que les accessoires recommandés.** L'emploi de tout accessoire inadapté peut présenter un risque de blessure.
- **Suivre les instructions d'entretien spécifiées dans ce manuel.**
- **Vérifier l'état des pièces.** Avant d'utiliser l'outil de nouveau examiner soigneusement les pièces et dispositifs de protection qui semblent endommagés afin de déterminer s'ils fonctionnent correctement et s'ils remplissent les fonctions prévues. Vérifier l'alignement des pièces mobiles, s'assurer qu'aucune pièce n'est bloquée ou cassée, vérifier la fixation de chaque pièce et s'assurer qu'aucun autre problème ne risque d'affecter le bon fonctionnement de l'outil. Pour éviter les risques de blessures, toute protection ou pièce endommagée doit être correctement réparée ou remplacée dans un centre de réparations qualifié.
- **Ne jamais laisser un outil en fonctionnement sans surveillance. Arrêter outil.** Ne pas s'éloigner de l'outil avant qu'il soit parvenu à un arrêt complet.
- **Garder le moteur dépourvu d'herbe, feuilles ou graisse** pour réduire le risque d'incendie.
- **Garder le tuyau d'échappement propre et exempt de débris.**
- **Suivre les recommandations du fabricant pour assurer la sécurité de chargement, déchargement, transport et remisage de la machine.**
- **Se familiariser complètement avec les commandes.** Veiller à savoir arrêter la machine et relâcher la pression rapidement.
- **Garder l'outil sec, propre et exempt d'huile ou de graisse.** Toujours utiliser un chiffon propre pour le nettoyage. Ne jamais utiliser de liquide de freins, d'essence ou de produits à base de pétrole pour nettoyer l'outil.
- **Rester vigilant et garder le contrôle.** Se montrer attentif et faire preuve de bon sens. Ne pas utiliser l'outil en état de fatigue. Ne pas se presser.
- **Ne pas utiliser cet outil sous l'influence de l'alcool, de drogues ou de médicaments.**
- **Examiner la zone de travail avant chaque utilisation.** La débarrasser de tous les objets tels que cailloux, verre brisé, clous, fils métalliques, cordes, etc. risquant d'être projetés ou de se prendre dans la machine.
- **Ne pas utiliser l'outil si le commutateur ne permet pas de l'arrêter.** Faire remplacer les commutateurs dans un centre de réparations qualifié.
- **Avant de nettoyer, réparer ou inspecter,** couper le moteur et vérifier que toutes les pièces en mouvement sont arrêtées. Déconnecter le fil de bougie et garder le fil à l'écart de la bougie afin d'empêcher un démarrage accidentel.
- **Éviter les environnements dangereux.** Ne pas utiliser dans des endroits mouillés ou humides, ne pas exposer à la pluie. Garder le lieu de travail bien éclairé.
- **Ne jamais utiliser dans une atmosphère explosive.** Les étincelles normalement produites par le moteur pourraient enflammer les vapeurs.
- **Ne jamais utiliser en fumant ou à côté d'une flamme vive.**
- **Ne pas utiliser à proximité de** buissons secs, brindilles, chiffons ou autres matériaux inflammables.
- **AVERTISSEMENT : Risque d'injection ou de blessures –** ne pas diriger le jet directement vers quelqu'un.

# RÈGLES DE SÉCURITÉ PARTICULIÈRES









- **Se montrer prudent lorsque l'on installe le laveuse à pression pour son utilisation.** L'air chaud du moteur peut causer des zones de décoloration sur l'herbe.
- **Ne jamais diriger le jet d'eau vers des personnes, animaux domestiques ou dispositifs électriques.**
- **Avant de commencer toute opération de nettoyage,** fermer les portes et fenêtres. Débarrasser la zone à nettoyer de débris, jouets, meuble de jardin ou autres objets pouvant créer un danger.
- **Ne jamais ramasser ni porter la machine lorsque le moteur tourne.**
- **Ne jamais mettre la machine en marche** si de la glace s'est formée sur quelque partie que ce soit.
- **Ne pas utiliser de produits acides ou alcalins, de solvants, de matières inflammables ou de solutions de qualité industrielle** dans ce produit. Ces produits peuvent causer des blessures de l'opérateur et des dommages irréversibles de l'équipement.
- **Toujours utiliser la machine** sur une surface plane. Si le moteur est incliné, il peut se gripper à cause d'un graissage insuffisant (même au niveau maximum d'huile).
- **AVERTISSEMENT : Les jets à haute pression peuvent être dangereux s'ils sont utilisés incorrectement.** Le jet ne doit pas être dirigé vers des personnes, animaux, dispositifs électriques ou l'équipement lui-même.
- **Tenir la poignée à gâchette fermement des deux mains.** L'utilisateur doit s'attendre à ce qu'en raison de la force de réaction, la poignée bouge lorsqu'il appuie sur la gâchette. Ne pas tenir compte de ce fait peut entraîner une perte de contrôle et entraîner des blessures pour lui et son entourage.
- **Ne jamais essayer de faire des réglages pendant que le moteur tourne** (sauf en cas de recommandations spécifiques du fabricant).
- **Les dispositifs de protection doivent toujours couvrir des pièces en rotation quand le moteur tourne.**
- **Garder l'entrée d'air** (poignée du lanceur et corde) et le côté échappement du moteur au à au moins 3 pi (914 mm) des structures, obstacles et autres objets combustibles.
- **Garder le moteur à l'écart des articles inflammables et autres matières dangereuses.**
- **Rester à l'écart des pièces brûlantes.** L'échappement, gaz d'échappement et d'autres pièces de moteur deviennent brûlantes. Ne pas toucher le silencieux ou positionner toute partie du corps dans le passage de gaz d'échappement chauds, ce qui pourrait occasionner des brûlures ou d'autres types de blessures graves.
- **Ne toucher ni la bougie, ni le câble d'allumage** lors du démarrage et du fonctionnement du moteur.
- **Vérifier le serrage des flexibles et raccords de carburant** et s'assurer de l'absence de fuites avant chaque utilisation.
- **Vérifier le serrage de la boulonnerie** avant chaque utilisation. Un boulon ou écrou desserré peut causer de sérieux problèmes de moteur.
- **Toujours effectuer l'approvisionnement en carburant à l'extérieur.** Ne jamais refaire le plein en intérieur ou dans un endroit insuffisamment ventilé.
- **Ne jamais remiser la machine avec du carburant dans le réservoir de carburant dans un local** où des sources d'allumage, telles que radiateurs à gaz et à eau chaude, les séchoirs à vêtements, etc., sont présentes.
- **Si le réservoir de carburant doit être vidé, le faire à l'extérieur et dans un contenant d'essence approuvé et loin des sources d'allumage.**
- Manipuler le carburant avec précaution **pour éviter les risques d'incendies et de brûlures.** Le carburant est extrêmement inflammable.
- **Ne pas fumer pendant la manipulation du carburant.**
- **Faire l'appoint de carburant avant de lancer le moteur.** Ne jamais retirer le couvercle du réservoir de carburant ni ajouter du carburant pendant que le moteur tourne ou quand le moteur est chaud.
- **Desserrer le bouchon du réservoir** lentement pour relâcher la pression et éviter que le carburant s'échappe.
- **Remettre en place tous les bouchons de conteneur et de réservoir de carburant et les serrer fermement.**
- **Essuyer tout le carburant éventuellement répandu.** S'éloigner de 9 m (30 pi) du point d'approvisionnement avant de lancer le moteur.
- **Si du carburant est renversé,** ne pas essayer de démarrer le moteur mais éloigner la machine de l'endroit et éviter de créer une source d'inflammation jusqu'à ce que les vapeurs de carburant se soient dissipées.
- **N'essayer en aucun cas de brûler le carburant répandu.**
- **Laisser le laveuse à pression refroidir avant pour 30 minutes de remiser l'outil et vidanger le carburant de l'unité.**
- **Remiser le carburant dans un endroit frais, bien aéré, à l'écart d'étincelle et/ou d'appareils produisant des flammes.**
- **Conserver le carburant dans** des jerrycans spécialement conçus à cet effet.
- Pour le transport sur ou dans un véhicule, **le réservoir doit être vide et la machine bien arrimée.**
- **Utiliser exclusivement des pièces recommandées ou équivalentes à celles d'origine pour les réparations.** L'usage de toute autre pièce pourrait créer une situation dangereuse ou endommager l'outil.
- **Ce produit est conçu pour fonctionner UNIQUEMENT à l'eau froide.**
- **Veiller à garder une distance d'au moins 914 mm (3 pi) des matériaux combustibles.**
- **Ne jamais la pulvérisation proche à la surface** être nettoyée comme vous pouvez endommager la surface.
- **Après avoir arrêté le moteur, toujours presser la gâchette de la poignée à gâchette afin de libérer la pression retenue dans le tuyau haute pression.** Le non-respect de cet avertissement pourrait entraîner des blessures graves.
- **Pour l'utilisation à l'extérieur seulement.**
- **S'assurer que le tuyau flexible haute pression est branché correctement avant d'utiliser le produit.**
- **Conserver ces instructions.** Les consulter fréquemment et les utiliser pour instruire d'autres utilisateurs. Si cet outil est prêté, il doit être accompagné de ces instructions.

# SYMBOLES

Les termes de mise en garde suivants et leur signification ont pour but d'expliquer le degré de risques associé à l'utilisation de ce produit.

SYMBOLE	SIGNAL	SIGNIFICATION
	<b>DANGER :</b>	Indique une situation dangereuse qui, si elle n'est pas évitée, aura pour conséquences des blessures graves ou mortelles.
	<b>AVERTISSEMENT :</b>	Indique une situation dangereuse qui, si elle n'est pas évitée, pourrait entraîner des blessures graves ou mortelles.
	<b>ATTENTION :</b>	Indique une situation dangereuse qui, si elle n'est pas évitée, pourrait entraîner des blessures légères ou de gravité modérée.
	<b>AVIS :</b>	(Sans symbole d'alerte de sécurité) Indique les informations jugées importantes sans toutefois représenter un risque de blessure (ex. : messages concernant les dommages matériels).


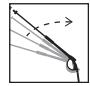


Certains des symboles ci-dessous peuvent être présents sur le produit. Veiller à les étudier et à apprendre leur signification. Une interprétation correcte de ces symboles permettra d'utiliser le produit plus efficacement et de réduire les risques.

SYMBOLE	NOM	DÉSIGNATION / EXPLICATION
	Symbole d'alerte de sécurité	Indique un risque de blessure potentiel.
	Lire manuel d'utilisation	Pour réduire les risques de blessures, l'utilisateur doit lire et veiller à bien comprendre le manuel d'utilisation avant d'utiliser ce produit.
	Protection oculaire	Toujours porter une protection oculaire avec écrans latéraux certifiée conforme à la norme ANSI Z87.1.
	Avertissement concernant l'humidité	Ne pas exposer à la pluie ou l'humidité et ne jamais diriger le jet d'eau vers des dispositifs électriques.
	Surface brûlante et gaz d'échappement	Pour réduire les risques de blessures ou de dommages, éviter tout contact avec les surfaces brûlantes et ne pas positionner toute partie du corps dans le passage de gaz d'échappement chauds..
	Risque d'injection	Pour réduire les risques d'injection ou de blessures, ne jamais diriger le jet directement vers des enfants ou animaux domestiques et ne placer aucune partie du corps sur la trajectoire du jet. Les fuites aux flexibles et raccords peuvent également entraîner des blessures. Ne pas tenir des flexibles ou raccords.
	Risque d'explosion	Ne pas vaporiser de liquides inflammables. Liquides inflammables, de carburant, et leurs vapeurs sont explosifs et peuvent entraîner des brûlures graves ou mortelles.
	Risque d'incendie	Ne pas ajouter de carburant pendant l'utilisation de l'appareil ou qu'il fait chaud. Le feu peut entraîner des brûlures graves ou mortelles.



# SYMBOLES

Certains des symboles ci-dessous peuvent être présents sur le produit. Veiller à les étudier et à apprendre leur signification. Une interprétation correcte de ces symboles permettra d'utiliser le produit plus efficacement et de réduire les risques.

SYMBOLE	NOM	DÉSIGNATION / EXPLICATION
	Vapeurs toxiques	Utiliser ce produit à l'intérieur peut entraîner la mort en raison du monoxyde de carbone, un gaz toxique invisible et inodore. Ne jamais utiliser ce produit à l'intérieur, même si les fenêtres et les portes sont ouvertes. Utiliser ce produit uniquement à l'extérieur et à au moins 6 m (20 pi) des fenêtres, des portes et des ouvertures ou événements.
	Rebond	Pour réduire le risque de blessure suite à un rebond, tenir la lance fermement à deux mains lorsque la machine est en fonctionnement.
	Choc électrique	Ne pas utiliser à proximité de lignes électriques ou de prises de courant.
	Brûlures chimiques	Pour réduire les risques de blessures ou de dommages matériels, NE PAS UTILISER DE PRODUITS ACIDES, ALCALINS OU JAVÉLISÉS, NI DE SUBSTANCES INFLAMMABLES OU DE SOLUTIONS DE QUALITÉ INDUSTRIELLE dans ce produit.

# CARACTÉRISTIQUES

## FICHE TECHNIQUE

Contenance du réservoir de carburant .....	3,6 litre (0,95 gal)
Volume de lubrifiant.....	0,4 l (14 oz.)
Pression maximum en livres par pouce carré* .....	3 200 psi
Débit maximum par minute* .....	9,5 LPM (2,5 gpm)
Température maximum d'eau d'arrivée .....	40 °C (104 °F)
Bougie .....	Torch/LG F7RTC ou équivalent

\*Maximum évaluant résolu par la norme de PWMA PW101

## APPRENDRE À CONNAÎTRE LE LAVEUSE À PRESSION

Voir la figure 1.

La sécurité d'utilisation de ce produit exige la compréhension des informations apposées sur l'outil et contenues dans ce manuel d'utilisation, ainsi que la connaissance du travail à exécuter. Avant d'utiliser ce produit, se familiariser avec toutes ses fonctions et règles de sécurité.

## SYSTÈME D'INJECTION DE SAVON AUTOMATIQUE

Verser le détergent pour laveuse à pression dans le réservoir de savon une application facile et rapide sur votre projet de nettoyage. L'utilisation de la buse à détergent activera l'injecteur de savon avec une quantité de dilution de 20 pour 1.

## RÉSERVOIR DE CARBURANT

La contenance maximum de ce réservoir de carburant est de 3,6 litre (0,95 gal). Utiliser de l'essence sans plomb.

## RANGEMENT DE TUYAUX

Une fois le tuyau flexible haute pression enroulé, le suspendre sur le crochet situé sur le côté de la poignée au moyen de la courroie velcro pour le fixer en place.

## COMMUTATEUR D'ARRÊT ET DÉMARRAGE

Le commutateur d'arrêt et démarrage est utilisé dans la combinaison avec le manchon en poignée du lanceur et corde pour commencer le moteur. Il est aussi utilisé pour arrêter le moteur.

## BUSE À DÉTERGENT

La buse à savon de couleur bleue ou noir est utilisée uniquement pour appliquer du détergent à une faible pression.

## POIGNÉE DU LANCEUR ET CORDE

Tirer sur le lanceur pour mettre le moteur en marche

## SOUPAPE DE SUPPRESSION THERMIQUE

Ce dispositif de la pompe empêche que la température de l'eau atteigne un niveau dangereux en relâchant une petite quantité d'eau. Une fois l'eau écoulée, la soupape se réarme automatiquement.

## POIGNÉE DE GÂCHETTE

La poignée de gâchette est dotée d'une surface de prise permettant de mieux la contrôler et de réduire la fatigue.

## GÂCHETTE AVEC VERROUILLAGE

Appuyer sur la gâchette pour produire un jet d'eau à haute pression pour le nettoyage. Le verrouillage constitue une protection contre toute utilisation non autorisée.

# ASSEMBLAGE

## DÉBALLAGE

Ce produit doit être assemblé.

- Avec précaution, sortir l'outil et les accessoires de la boîte. S'assurer que toutes les pièces indiquées sur la **Liste de contrôle d'expédition** sont incluses.

**NOTE :** Cet outil est lourd. Pour éviter des problèmes lombaires soulever avec les jambes, pas avec le dos et demander de l'aide lorsque nécessaire.



### AVERTISSEMENT :

Ne pas utiliser le produit si, en le déballant, vous constatez que des éléments figurant dans la **Liste de contrôle d'expédition** sont déjà assemblés. Certaines pièces figurant sur cette liste n'ont pas été assemblées par le fabricant et exigent une installation. Le fait d'utiliser un produit qui a été assemblé de façon inadéquate peut entraîner des blessures.

- Examiner soigneusement l'outil pour s'assurer que rien n'a été brisé ou endommagé en cours de transport.
- Ne pas jeter les matériaux d'emballage avant d'avoir soigneusement examiné l'outil et avoir vérifié qu'il fonctionne correctement.

# ASSEMBLAGE

- Si des pièces sont manquantes ou endommagées, appeler le 1-800-860-4050.

## LISTE DE CONTRÔLE D'EXPÉDITION

Laveuse à pression  
Tuyau haute pression de 7,6 m (25 pi)  
Poignée  
Poignée de gâchette  
Lance de pulvérisation  
Buse à raccord rapide (4)  
Support de poignée à gâchette  
Panneau de rangement  
Vis (4)  
Écrous (4)  
Roues (2)  
Essieux (2)  
Goupilles de sûreté (2)  
Rondelles (2)  
Lubrifiant moteur 4 temps (SAE30, SAE 10W30)  
Entonnoir jetable  
Manuel d'utilisation

### AVERTISSEMENT :

Si des pièces manquent ou sont endommagées, ne pas utiliser cet outil avant qu'elles aient été remplacées. Le fait d'utiliser ce produit même s'il contient des pièces endommagées ou s'il lui manque des pièces peut entraîner des blessures graves.

### AVERTISSEMENT :

Ne pas essayer de modifier cet outil ou de créer des accessoires non recommandés pour cet outil. De telles altérations ou modifications sont considérées comme un usage abusif et peuvent créer des conditions dangereuses, risquant d'entraîner des blessures graves.

### AVERTISSEMENT :

Pour empêcher un démarrage accidentel pouvant entraîner des blessures graves, toujours déconnecter le fil de bougie de moteur de la bougie d'allumage avant d'assembler des pièces.

## OUTILS NÉCESSAIRES

Voir la figure 2.

Les outils suivants (non inclus ou dessiné pour escalader) sont nécessaires pour effectuer l'assemblage :

- Tournevis cruciforme
- Clé de 10 mm

## INSTALLER LES ROUES

Voir la figure 3.

- Repérer les essieux, les goupilles de sûreté, les rondelles et les roues.
- Glisser l'essieu dans le trou situé au centre de la roue.
- Glisser le rondelle de l'essieu.
- Soulever la machine et insérer l'essieu dans le trou de montage de la base, comme illustré.
- Puis pousser la goupille de sûreté dans le trou situé à l'extrémité de l'essieu afin de fixer solidement l'ensemble roue.

**NOTE :** Il importe de pousser la goupille de blocage dans l'essieu jusqu'à ce que le centre de la goupille vienne s'appuyer sur le dessus de l'essieu.

- Répéter la procédure pour l'autre roue.

## INSTALLATION DU POIGNÉE

Voir la figure 4.

### ATTENTION :

Éviter de pincer les doigts ou les mains pendant l'installation de la poignée au cadre.

- Appuyer sur le bouton à ressort du cadre et le tenir enfoncé au moment de glisser la poignée sur le cadre.

**NOTE :** Tirer sur le manche pour engager le bouton de verrouillage dans la fente pour le verrouiller en place.

## INSTALLATION DU PANNEAU DE RANGEMENT ET DU SUPPORT DE POIGNÉE À GÂCHETTE

Voir les figures 5 et 6.

- Aligner les trous du panneau de rangement sur les trous de la poignée, tel qu'illustré.
- Insérer les vis dans les trous gauche (vue de face). Installer les écrous et serrer fermement à l'aide d'un tournevis cruciforme y d'une clé de 10 mm (non inclus).
- Aligner le support de poignée à gâchette avec les trous percés dans la poignée et du panneau sur le côté opposé, tel qu'illustré.
- Insérer les autres vis dans les trous, puis installer les écrous et serrer fermement.

## CONNEXION DU LANCE DE PULVÉRISATION À LA POIGNÉE DE GÂCHETTE

Voir la figure 7.

- Engager l'extrémité fileté de la lance de pulvérisation dans le connecteur de la poignée de gâchette. Serrer fermement.
- Serrer complètement le connecteur pour assujettir la lance de pulvérisation.

# ASSEMBLAGE

## BRANCHEMENT DU FLEXIBLE HAUTE PRESSION SUR DE POIGNÉE DE GÂCHETTE

Voir la figure 8.

- Visser le collet du tuyau flexible haute pression dans le coupleur d'entrée de la poignée à gâchette en tournant le collet du tuyau dans le sens horaire.

**NOTE :** S'assurer de ne pas déformer le filetage, ce qui peut causer des fuites à la poignée à gâchette pendant l'utilisation.

- Tirer sur le tuyau pour s'assurer qu'il est correctement bloqué.

## CONNEXION DU FLEXIBLE HAUTE PRESSION SUR LA POMPE

Voir la figure 9.

- Dérouler complètement et redresser le tuyau haute pression pour éviter les pincements.

**NOTE :** Voir **Utilisation du tuyau haute pression** dans la section *Utilisation* pour obtenir plus d'information au sujet de l'utilisation du tuyau haute pression.

- Aligner le collier sur le raccord fileté de la pompe.
- Installer le collier du flexible haute pression sur le raccord fileté.
- Tourner le collier vers la droite et la serrer fermement sur la pompe.

**NOTE :** Prendre soin d'éviter la déformation du filetage, ce qui peut causer des fuites au tuyau pendant l'utilisation.

- Tirer sur le tuyau pour s'assurer qu'il est solidement assujéti.

## CONNEXION DU TUYAU D'ARROSAGE AU LAVEUSE À PRESSION

Voir la figure 10.

### AVIS :

Toujours respecter tous les règlements locaux au moment de brancher les tuyaux flexibles à l'alimentation principale en eau. Dans certaines régions, l'unité ne doit pas être reliée directement à l'alimentation publique en eau potable pour éviter que des produits chimiques affectent le système. Un raccordement direct est généralement permis si une bêche de récupération ou un dispositif anti-refoulement est utilisé.

L'alimentation en eau doit provenir d'une conduite principale d'alimentation en eau. Ne JAMAIS utiliser l'eau chaude ou l'eau des piscines, lacs, etc. Avant de connecter le tuyau d'arrosage au laveuse à pression :

- Faire circuler l'eau dans le flexible pendant 30 secondes pour le débarrasser des débris.
- Inspecter le tamis dans l'arrivée d'eau.
- Si le tamis est endommagé, ne pas utiliser l'équipement avant d'avoir remplacé le tamis.
- Si le tamis est sale, le nettoyer avant de connecter le tuyau d'arrosage à l'équipement.

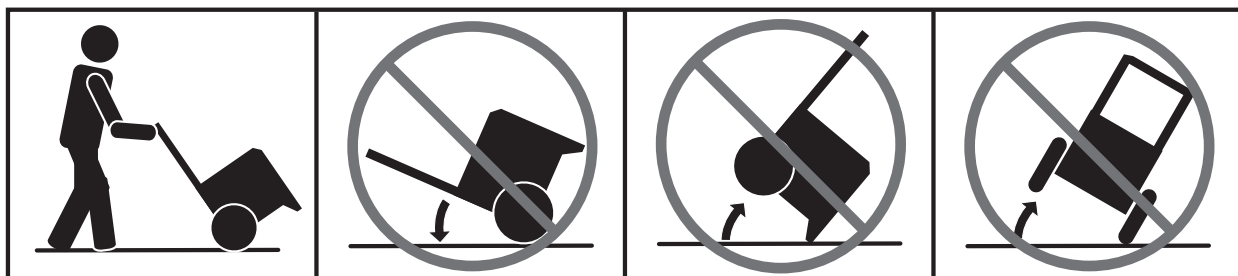
### Pour connecter le tuyau d'arrosage à l'équipement :

- Dérouler complètement le boyau d'arrosage ou le retirer complètement du dévidoir pour éviter les pincements.  
**NOTE :** Il doit y avoir un minimum de 3 m (10 pi) de tuyau entre l'admission du laveuse à pression et le robinet de tuyau ou le robinet de sectionnement (comme un connecteur de sectionnement en « Y »).
- Le robinet de tuyau étant complètement fermé, fixer l'extrémité du tuyau d'arrosage sur l'arrivée d'eau. Serrer à la main.

### AVIS :

Ne pas faire fonctionner la pompe de la laveuse à pression sans que l'arrivée d'eau soit connectée et activée. Ne pas respecter cette directive peut faire en sorte d'endommager les joints d'étanchéité haute pression et de réduire la durée de vie utile de la pompe. Dérouler complètement le tuyau et s'assurer qu'il ne se coince pas dans les pneus, dans des roches ou tout autre objet susceptible de couper ou de réduire l'alimentation en eau de la laveuse à pression.

## ÉVITER TOUTE INCLINAISON DE L'APPAREIL !



# UTILISATION

## AVERTISSEMENT :

Ne pas laisser la familiarité avec ce produit faire oublier la prudence. Ne pas oublier qu'une fraction de seconde d'inattention peut entraîner des blessures graves.

## AVERTISSEMENT :

Toujours porter une protection oculaire avec écrans latéraux certifiée conforme à la norme ANSI Z87.1. Si cette précaution n'est pas prise, des objets peuvent être projetés dans les yeux et causer des lésions graves.

## AVERTISSEMENT :

Ne pas utiliser d'outils ou accessoires non recommandés par le fabricant pour cet outil. L'utilisation de pièces et accessoires non recommandés peut entraîner des blessures graves.

## AVERTISSEMENT :

Ne jamais diriger le jet d'eau vers des personnes, animaux domestiques ou dispositifs électriques. Le non-respect des instructions de sécurité peut entraîner des blessures graves, de décharge électrique et même la mort.

## AVERTISSEMENT :

**Risque de brûlures graves.** Ne pas toucher le silencieux ou positionner toute partie du corps dans le passage de gaz d'échappement chauds, ce qui pourrait occasionner des brûlures ou d'autres types de blessures graves.

## AVIS :

Ce produit n'est pas équipé d'un pare-étincelles et ne peut pas être utilisé sur des terrains forestiers des États-Unis; de plus, les utilisateurs du produit doivent respecter les réglementations locales et gouvernementales de lutte contre l'incendie. Consulter les autorités appropriées.

## AVIS :

Avant chaque utilisation, inspecter au complet le produit afin de s'assurer qu'aucune pièce (vis, écrous, boulons, chapeaux, etc.) n'est endommagée, manquante ou desserrée. Serrer solidement toutes les pièces de fixation et les chapeaux et ne pas utiliser le produit tant que toutes les pièces manquantes ou endommagées n'ont pas été remplacées. Pour obtenir de l'aide, veuillez communiquer avec le service à la clientèle ou un centre de réparations qualifié.

## APPLICATIONS

Cet outil peut être utilisé autour de la maison pour nettoyer la plupart des petites et grandes surfaces extérieures horizontales ou verticales, les petits objets et petites structures extérieures, l'équipement et les outils extérieurs. \* Utile pour :

- Nettoyer ou éliminer les moisissures des terrasses protégées contre les intempéries, les allées, patios, allées piétonnes, trottoirs, etc.
- Éliminer la saleté de plusieurs types de surfaces verticales extérieures comme les murs extérieurs de la maison, le parement, les clôtures, briques, béton, pierres, etc.
- Laver les bateaux, mobilier extérieur, équipements de jardinage motorisés ou manuels, gouttières, moustiquaires, barbecues, équipements de terrain de jeux, etc.

*\*Toujours, faire un essai préalable sur une petite surface dissimulée.*

## AJOUT / VÉRIFICATION DE LUBRIFIANT POUR MOTEUR

Voir la figure 11.

**NOTE :** Cet équipement a été expédié avec environ 0,06 l (2 oz) lubrifiant dans le moteur, résultant des essais. **Faire l'appoint lubrifiant moteur avant le premier démarrage.**

## AVIS :

Toute tentative de démarrage du moteur sans avoir fait l'appoint lubrifiant entraînera une défaillance.

### Pour ajouter de l'huile à moteur :

- Poser le laveuse à pression sur une surface plane et horizontale. Ne pas incliner.
- Dévisser le bouchon/jauge d'huile en le tournant dans le sens inverse des aiguilles d'une montre.
- Avant la première utilisation, verser tout le lubrifiant fourni, sauf 60 ml (2 oz), dans le moteur par le trou de remplissage d'huile. Vérifier et ajouter du lubrifiant supplémentaire au besoin jusqu'à ce que le niveau atteigne la portion supérieure à la section hachurée de la jauge. **Ne pas remplir à l'excès.**
- Remettre le bouchon/jauge d'huile en place et le serrer fermement.

### Pour vérifier le niveau d'huile du moteur :

- Placer le laveuse à pression sur une surface plane. Ne pas incliner.
- Dévisser le bouchon/jauge d'huile en le tournant dans le sens inverse des aiguilles d'une montre.
- Essuyer la jauge et l'insérer de nouveau dans le trou sans visser.
- Retirer une nouvelle fois la jauge et vérifier le niveau de lubrifiant. Le niveau de lubrifiant doit se trouver dans la zone hachurée de la jauge.
- Si le niveau est bas, ajouter de la lubrifiant pour moteur quatre temps (SAE 30 ou SAE 10W30) jusqu'à ce que le niveau atteigne la portion supérieure à la section hachurée de la jauge. **Ne pas remplir à l'excès.**
- Réinstaller et serrer le bouchon d'huile/la jauge.

# UTILISATION

## AVIS :

Ne pas remplir à l'excès. Trop remplir le carter peut produire une fumée excessive et endommager le moteur.

## CARBURANTS À BASE D'ÉTHANOL

### AVIS :

**Ne pas utiliser d'essence E15 ou E85 dans ce produit. Une telle utilisation représente une violation de la loi fédérale et endommagera l'appareil et annulera la garantie. Utiliser seulement de l'essence sans plomb ne contenant pas plus de 10 % d'éthanol.**

## AJOUT D'ESSENCE DANS LE RÉSERVOIR DE CARBURANT

Voir la figure 12.



### DANGER :

**Risque d'incendie et de blessures graves :** Ne jamais retirer le capuchon du réservoir d'essence pendant que l'appareil fonctionne. Éteindre le moteur et laisser refroidir l'appareil pendant au moins cinq minutes. Retirer lentement le capuchon.



### AVERTISSEMENT :

L'essence et ses vapeurs sont extrêmement inflammables et explosives. Pour éviter blessures et dommages matériels, manipuler l'essence avec prudence. Garder à l'écart des sources d'allumage, manipuler en plein air uniquement, ne pas fumer lors de l'appoint de carburant et essuyer immédiatement tout carburant répandu.



### AVERTISSEMENT :

Toujours arrêter le moteur avant de faire le plein de carburant. Ne jamais retirer le bouchon du réservoir d'essence lorsque le moteur tourne ou est chaud. S'assurer que l'unité repose sur une surface plane, à niveau et de remplir seulement à l'extérieur. Si le moteur est chaud, laisser refroidir l'unité pendant au moins cinq (5) minutes avant d'ajouter de l'essence. Remettre immédiatement le bouchon du réservoir d'essence et le serrer fermement. S'éloigner d'au moins 9 m (30 pi) du point de ravitaillement avant de lancer le moteur. Ne pas fumer, et rester à l'écart des flammes vives et des étincelles ! Ne pas respecter ces instructions représente un risque d'incendie et de blessures graves.



### AVERTISSEMENT :

S'assurer de l'absence de fuites de carburant, réservoir, ou conduites qui sont un risque d'incendie. Un bouchon de carburant qui fuit pose un risque d'incendie et doit être remplacé immédiatement. Toutes les fuites doivent être éliminées avant d'utiliser le produit. Ne pas prendre cette précaution peut causer un incendie, entraînant des blessures graves.

**NOTE : Ce moteur est un moteur 4 temps. Ne pas mélanger d'essence et d'huile ensemble.**

- Régler le robinet de carburant en position FERMÉ.
- Mélanger un stabilisateur de carburant à l'essence en respectant les instructions du fabricant du stabilisateur de carburant.
- Avant de retirer le bouchon du réservoir d'essence, nettoyer autour de celui-ci. Retirer le bouchon du réservoir de carburant.
- Insérer un entonnoir propre dans le réservoir et verser le carburant lentement. Remplir le réservoir jusqu'à environ 38 mm (1-1/2 po) au dessous du bord de la goulotte de remplissage (pour permettre la dilatation du carburant).
- Remettre le bouchon de carburant en place et le serrer fermement.
- Essuyer tout carburant répandu avant de lancer le moteur.

## MISE EN MARCHE / ARRÊT DU LAVEUSE À PRESSION

Voir les figure 13 à 16.

### AVIS :

Ne pas faire fonctionner la laveuse à pression sans que l'arrivée d'eau soit connectée et activée. Ne pas respecter cette directive peut faire en sorte d'endommager les joints d'étanchéité haute pression et de réduire la durée de vie utile de la pompe. Dérouler complètement le tuyau et s'assurer qu'il ne se coince pas dans les pneus, dans des roches ou tout autre objet susceptible de couper ou de réduire l'alimentation en eau de la laveuse à pression.

### Avant de lancer le moteur :

- Connecter tous les flexibles.  
**NOTE :** S'assurer que le tamis de l'arrivée d'eau de la laveuse à pression est installée et non obstruée avant le raccordement la tuyau d'arrosage.
- Vérifier les niveaux de liquides (lubrifiant et carburant).
- Ouvrir l'eau du tuyau d'arrosage et appuyer sur la gâchette pour purger l'air. Continuer d'appuyer sur la gâchette jusqu'à ce que l'eau s'écoule régulièrement.  
**NOTE :** S'assurer que le robinet est complètement ouvert et que le tuyau ne fuit pas et qu'il n'est pas plié.

### Lancement du moteur :

- Régler le robinet de carburant en position OUVERTE.
- Mettre le commutateur marche/arrêt en position de MARCHE.
- Déplacer l'étrangleur à la position de DÉMARRAGE.  
**NOTE :** Pour redémarrer après un bref arrêt (comme pour remplir le réservoir de carburant ou un déplacement), laisser le levier d'étrangleur à la position MARCHE.
- Saisir le lanceur et le tirer lentement jusqu'à ressentir une certaine résistance. Tirer d'un coup sec sur le lanceur et corde afin de faire démarrer le moteur.  
**NOTE :** Ne pas lâcher le lanceur brusquement après le démarrage. Le remettre en douceur à sa position d'origine.

# UTILISATION

## AVIS :

Si la poignée et la corde du démarreur est difficile à sortir, appuyer sur la gâchette pour libérer la pression d'eau avant de tenter de redémarrer.

- Laisser le moteur tourner pendant 5 secondes, puis mettre le levier d'étrangleur à la position MARCHE.

## AVIS :

Effectuer une inspection visuelle périodique de la pompe et du moteur pendant l'utilisation. Si l'on remarque une fuite autour des joints d'étanchéité de la pompe ou du moteur, cesser immédiatement l'utilisation de la laveuse à pression. Communiquer avec le service à la clientèle ou un centre de réparations qualifié des réparations. Ne pas le faire pourrait causer des dommages matériels.

### Arrêt du moteur:

- Mettre le commutateur marche/arrêt en position de ARRÊT.
- Régler le robinet de carburant en position FERMÉ.

**NOTE :** Le fait d'éteindre le moteur ne permet pas de libérer la pression du système. **Tirer sur la gâchette pour relâcher la pression d'eau.**

## AVERTISSEMENT :

Pendant le fonctionnement ou lors du rangement, allouez un espace libre de 91,4 cm (3 pi) de chaque côté et au-dessus de la produit. Laisser refroidir l'appareil au moins 30 minutes avant de le ranger. Éloigner toutes les parties du corps, les vêtements, les matériaux combustibles et les tuyaux du silencieux. La chaleur créée par le tuyau et les gaz d'échappement peut être suffisamment chaude pour causer des brûlures graves, enflammer des objets combustibles et/ou endommager les tuyaux haute pression pouvant causer des brûlures par injection.

## FONCTIONNEMENT POIGNÉE DE GÂCHETTE

Voir la figure 17.

## AVERTISSEMENT :

Tenir fermement la poignée de gâchette avec les deux mains. La force de réaction peut faire bouger la poignée à gâchette lorsque la gâchette est enfoncée. Ne pas maintenir fermement la poignée peut provoquer une perte de contrôle et occasionner des blessures à l'opérateur et aux autres personnes.

- Appuyer sur la gâchette et la maintenir enfoncée pour actionner le laveuse à pression.
- Relâcher la gâchette pour arrêter le jet d'eau de la buse.

### Pour engager le verrouillage :

- Appuyer sur le bouton de verrouillage jusqu'à ce qu'il s'enclenche dans la fente.

### Pour désengager le verrouillage :

- Appuyer sur le bouton de verrouillage pour le mettre dans sa position originale.

Commencer en plaçant la buse à une distance de 30 à 60 cm (1 à 2 pi) de la surface à nettoyer et approcher lentement de la surface jusqu'à ce que l'intensité de nettoyage soit atteinte. Si la buse est trop proche, le jet peut endommager la surface.

## SÉLECTIONNER LA BUSE À RACCORD RAPIDE APPROPRIÉE POUR LA TÂCHE

Voir la figure 18.

Chacune des buses offre une configuration de jet différente. Avant de commencer tout nettoyage, sélectionner la buse convenant le mieux pour l'application. Consulter le **Guide de sélecteur de buse** pour en savoir plus au sujet de l'utilisation de chaque buse.

## AVERTISSEMENT :

NE JAMAIS retirer de buse sans avoir d'abord éteint le moteur, relâcher la pression d'eau de la poignée à gâchette, et avoir verrouillé la poignée à gâchette. NE JAMAIS pointer la buse en direction du visage ou d'autres personnes. Le dispositif de raccord rapide contient de petits ressorts qui peuvent éjecter la buse avec force. Ne pas respecter ces consignes représente les risques de lésions oculaires ou de blessures graves.

### Pour installer une buse sur la lance d'arrosage :

- Arrêter le laveuse à pression et fermer l'arrivée d'eau. **Appuyer sur la gâchette pour relâcher la pression d'eau.**
- Verrouiller la poignée de gâchette en poussant sur le bouton de verrouillage jusqu'à ce qu'il s'engage dans la fente.
- Tirer la bague à connexion rapide vers l'arrière.
- Insérer en place la buse dans la lance d'arrosage.
- Poussez en avant la bague de manière à ce que la buse soit fixée solidement et vérifier le tout.

### Pour retirer une buse de la poignée de gâchette une fois le nettoyage terminé :

- Arrêter le laveuse à pression et fermer l'arrivée d'eau. **Appuyer sur la gâchette pour relâcher la pression d'eau.**
- Verrouiller la poignée de gâchette en poussant sur le bouton de verrouillage jusqu'à ce qu'il s'engage dans la fente.
- Tirer et maintenir la bague à connexion rapide.
- Retirer la buse en plaçant sa main au dessus de la buse puis en tirant la bague à connexion rapide vers l'arrière. Ranger la buse dans le compartiment du dessus de la machine prévu à cet effet.

# UTILISATION

## GUIDE DE SÉLECTEUR DE BUSE

0°		25°		40°		SAVON			
						<b>PRESSION ÉLEVÉE</b> (AUCUN SAVON LORS DE L'UTILISATION DE CES BUSES)		<b>PRESSION FAIBLE</b> (POUR SAVON OU RINÇAGE LÉGER)	
ABRASIF		LÉGER							
		0° Rouge		25° Vert		40° Blanc		Buse bleue ou noir pour savon	
		↓		▼		▼			
Béton, brique, maçonnerie		✓		✓		✓		✓	
Parement, gouttières, maison				✓		✓		✓	
Clotures, terrasse, patio				✓		✓		✓	
Équipement de jardin, bateau, VR				✓		✓		✓	
								✓ Buse recommandée ✓ Utiliser avec prudence lors de certaines applications	

### UTILISATION DU TUYAU HAUTE PRESSION

#### AVERTISSEMENT :

Risque d'injection. Dérouler complètement et redresser le tuyau flexible haute pression avant et pendant chaque utilisation pour éviter les pincements. Le tuyau flexible haute pression comporte un revêtement externe offrant une meilleure résistance au tuyau. Si le revêtement extérieur est endommagé, cesser immédiatement l'utilisation du tuyau et le remplacer. Un tuyau flexible pincé ou endommagé peut causer une perte de pression pouvant nuire à la pulvérisation et provoquer des blessures graves.

#### Pour éviter d'endommager le revêtement extérieur :

- Examiner le tuyau avant chaque utilisation.
- Dérouler complètement le tuyau et le raidir avant l'utilisation.
- Ne pas laisser le tuyau haute pression s'entortiller.
- Tenir le tuyau à l'écart des surfaces chaudes et des rebords tranchants.
- Ne pas tirer l'unité par le tuyau haute pression.
- Ne pas laisser le tuyau s'écraser ou s'enrouler autour des objets.

### NETTOYAGE AVEC DU DÉTERGENT

Voir les figures 19 et 20.

Au moment de la vente, cette unité est conçue pour être utilisée avec des détergents pour laveuses à pression se trouvant « en aval ». Pour une utilisation avec des détergents se trouvant « en amont », veuillez communiquer avec le service à la clientèle ou un centre de réparations qualifié afin d'obtenir de plus amples renseignements.

#### AVIS :

#### UTILISER UNIQUEMENT DES DÉTERGENTS CONÇUS POUR LES NETTOYEURS HAUTE PRESSION.

Ne pas utiliser de détergents domestiques, d'acides, de produits alcalins, de javellisants, de solvants, de matières inflammables et des solutions industrielles pouvant endommager la pompe ou provoquer des dommages matériels.. Beaucoup de détergents doivent être mélangés avant d'être utilisés. Préparer la solution de nettoyage selon les instructions du flacon de solution. Toujours, faire un essai préalable sur une petite surface dissimulée.

- Retirer le bouchon du réservoir de savon et verser le détergent pour laveuse à pression dans le réservoir. Réinstaller le bouchon sur le réservoir.

**NOTE :** L'unité est réglée pour une dilution de 1 sur 20, ce qui permet généralement d'utiliser 3,79 l (1 gal) de détergent



# UTILISATION

pour laveuses à pression sans dilution supplémentaire. Vérifier les directives jointes au détergent pour s'assurer qu'aucune dilution supplémentaire n'est nécessaire.

- Installer la buse de savon (bleue ou noir) sur la lance d'arrosage.
- Appuyer sur la gâchette et attendre l'apparition du détergent pendant environ 5 secondes.
- Pulvériser le détergent sur une surface sèche à l'aide de mouvements longs, uniformes, se chevauchant. Pour éviter de laisser des marques, ne pas laisser le détergent sécher sur la surface.

## Avant d'arrêter le moteur :

- Remplir le réservoir de savon avec de l'eau propre.
- Pulvériser l'eau propre par la lance jusqu'à ce que le réservoir soit vide.
- S'il reste du détergent dans la lance, répéter en remplissant à nouveau le réservoir avec de l'eau propre.
- Éteindre le moteur.

**NOTE :** Le fait d'éteindre le moteur ne permet pas de libérer la pression du système. **Tirer sur la gâchette pour relâcher la pression d'eau.**

## RINÇAGE AVEC LE LAVEUSE À PRESSION

- Arrêter la laveuse à pression et fermer l'arrivée d'eau. **Appuyer sur la gâchette pour relâcher la pression d'eau.**
- Verrouiller la poignée de gâchette en poussant sur le bouton de verrouillage jusqu'à ce qu'il s'engage dans la fente.
- Retirer la buse de savon et le placer dans le compartiment de rangement des buses.
- Choisir le buse approprié selon le travail. Consulter le table plus haut dans ce manuel pour choisir le buse approprié.
- Commencer en haut de la zone à rincer et continuer vers le bas en faisant chevaucher les passes.

## UTILISATION D'UN PROTECTEUR DE POMPE

*Voir la figure 21.*

L'utilisation régulière d'un protecteur de pompe vendu en magasin prolonge la durée de vie de la laveuse à pression parce qu'il élimine les dépôts de minéraux de l'eau, lubrifie les joints d'étanchéité et les pistons de la pompe et prévient les dommages causés par le gel. Le protecteur de pompe doit être ajouté à l'appareil après chaque utilisation ou avant le remisage. Le protecteur de pompe est offert chez le détaillant où la laveuse haute pression a été achetée ou en appelant le Service à la clientèle.

Les instructions ci-dessous concernent le protecteur de pompe typique. Suivre les instructions fournies par le fabricant respectif.

- Éteindre le moteur de la laveuse à pression et couper l'alimentation en eau. **Tirer sur la gâchette pour relâcher la pression d'eau.**
- Débrancher le boyau d'arrosage et le tuyau flexible haute pression.
- Dévisser le bouchon vissé de la bouteille du protecteur de pompe et retirer les sceaux de papier de la bouteille. Réinstaller le bouchon sur la bouteille et visser fermement. **NOTE :** Le joint de caoutchouc doit rester à l'intérieur du bouchon vissé. S'il vient à sortir, s'assurer de le replacer avant de revisser le bouchon.
- Retirer le bouchon de la bouteille et visser fermement la partie filetée de la bouteille à l'entrée d'eau de la laveuse à pression.
- Presser la bouteille afin de faire pénétrer le contenu dans la pompe.
- Laisser l'interrupteur du moteur à la position arrêt, tirer sur le poignée du lanceur et corde pour faire faire un cycle à la pompe et garantir la pénétration complète.
- La pompe est protégée lorsque le fluide protecteur ressort par la sortie de la pompe.

## DÉPLACEMENT DU LAVEUSE À PRESSION

*Voir la figure 22.*

**NOTE :** Ne jamais soulever ou transporter cet outil par la poignée et ne jamais placer d'appareil autrement qu'à la verticale et sur ses roues.

- Éteindre la laveuse à pression.
- Incliner légèrement l'appareil vers soi jusqu'à ce qu'il soit en équilibre sur les roues, puis rouler vers l'endroit désiré. Ne pas incliner vers l'avant ou les côtés lors du déplacement.
- NE PAS tirer sur aucun tuyau pour tenter de déplacer l'appareil.

## FONCTIONNEMENT À ALTITUDE ÉLEVÉE

Ce moteur est configuré en usine pour fonctionner à une altitude inférieure à 914,4 m (3 000 pi). Le moteur doit être reconfiguré s'il doit fonctionner à plus de 914,4 m (3 000 pi) d'altitude. Faire fonctionner le moteur n'ayant pas la configuration requise selon une altitude donnée représente un risque d'augmentation des émissions, de diminution de la consommation d'essence, d'appauvrir la performance en plus de causer des dommages permanents. Les moteurs configurés pour fonctionner à haute altitude ne peuvent pas être opérés selon des conditions d'altitudes habituelles. Un centre de réparations qualifié devrait pour assurer la bonne configuration du moteur selon l'endroit d'utilisation.

# ENTRETIEN

L'entretien normal, le remplacement ou la réparation des dispositifs du système antipollution doit être fait par un magasin de réparation ou un technicien qualifié possédant les pièces d'origine ou équivalentes. La garantie et les rappels pour réparations peuvent être faits par un centre de réparations autorisé; pour obtenir de l'aide, veuillez communiquer avec le service à la clientèle.

## AVERTISSEMENT :

Avant d'inspecter, nettoyer ou entretenir l'équipement, couper le moteur, attendre que toutes les pièces en mouvement s'arrêtent, déconnecter le fil de la bougie et l'écartier de la bougie. Laisser refroidir l'appareil pendant 30 minutes avant de procéder à un entretien quel qu'il soit. Le non-respect de ces instructions peut entraîner des blessures graves ou des dégâts matériels.

## AVERTISSEMENT :

Toujours porter une protection oculaire avec écrans latéraux certifiée conforme à la norme ANSI Z87.1. Si cette précaution n'est pas prise, des objets peuvent être projetés dans les yeux et causer des lésions graves.

## AVERTISSEMENT :

Utiliser exclusivement des pièces recommandées ou équivalentes pour les réparations. L'usage de toute autre pièce pourrait créer une situation dangereuse ou endommager l'outil.

## AVIS :

Ce produit n'est pas équipé d'un pare-étincelles et ne peut pas être utilisé sur des terrains forestiers des États-Unis; de plus, les utilisateurs du produit doivent respecter les réglementations locales et gouvernementales de lutte contre l'incendie. Consulter les autorités appropriées.

## AVIS :

Avant chaque utilisation, inspecter au complet le produit afin de s'assurer qu'aucune pièce (vis, écrous, boulons, chapeaux, etc.) n'est endommagée, manquante ou desserrée. Serrer solidement toutes les pièces de fixation et les chapeaux et ne pas utiliser le produit tant que toutes les pièces manquantes ou endommagées n'ont pas été remplacées. Pour obtenir de l'aide, veuillez communiquer avec le Service à la clientèle ou un centre de réparations qualifié.

## ENTRETIEN GÉNÉRAL

Éviter d'utiliser des solvants pour le nettoyage des pièces en plastique. La plupart des matières plastiques peuvent être endommagées par divers types de solvants du commerce. Utiliser un chiffon propre pour éliminer la saleté, la poussière, l'huile, la graisse, etc.

## AVERTISSEMENT :

Ne jamais laisser de liquides tels que le fluide de freins, l'essence, les produits à base de pétrole, les huiles pénétrantes, etc., entrer en contact avec les pièces en plastique. Les produits chimiques peuvent endommager, affaiblir ou détruire le plastique, ce qui pourrait entraîner des blessures graves.

Avant de lancer le moteur, prendre les précautions suivantes :

- Vérifier que tous les boulons, écrous, etc. sont bien serrés.
- S'assurer que le filtre à air est propre.
- Vérifier les niveaux lubrifiant moteur et de carburant ; faire l'appoint selon le besoin.
- Regarder si le lieu de travail présente des dangers.
- En cas de vibrations ou bruits excessifs arrêter immédiatement la machine.

## ENTRETIEN DE BUSE

Voir la figure 23.

Une pression de pompe excessive (sensation d'impulsion au serrage de la gâchette) peut être le résultat d'une buse bouchée ou sale.

- Arrêter le laveuse à pression et fermer l'arrivée d'eau.  
**Appuyer sur la gâchette pour relâcher la pression d'eau.**
- Retirer la buse de la lance de pulvérisation.

## AVERTISSEMENT :

NE JAMAIS retirer de buse sans avoir d'abord éteint le moteur, relâcher la pression d'eau de la poignée à gâchette, et avoir verrouillé la poignée à gâchette. NE JAMAIS pointer la buse en direction du visage ou d'autres personnes. Le dispositif de raccord rapide contient de petits ressorts qui peuvent éjecter la buse avec force. Ne pas respecter ces consignes représente les risques de lésions oculaires ou de blessures graves.

- Pour retirer toute matière étrangère engorgeant ou obstruant la buse, souffler les débris ou les retirer à l'aide d'une aiguille fine (non inclus).
- À l'aide d'un tuyau d'arrosage, rincer les débris de la buse en rinçant à l'envers (en dirigeant le jet de l'extérieur vers l'intérieur).
- Reconnecter la buse sur la lancette.
- Ouvrir l'arrivée d'eau et démarrer le moteur.

# ENTRETIEN

## NETOYAGE/REPLACEMENT DU FILTRE À AIR

Voir la figure 24.

Un filtre à air sale peut entraîner des difficultés de démarrage, une perte de performance et raccourcir la durée de vie du moteur. Vérifier le filtre à air chaque mois. Dans le cas du travail dans un sol poussiéreux, nettoyer le filtre à air après chaque ravitaillement en carburant. Pour obtenir un fonctionnement optimal, remplacer le filtre à air en papier au moins une fois par an.

- Enlever la vis papillon du couvercle du purificateur d'air et enlever le couvercle.
- Enlever la vis papillon de l'assemblage du purificateur d'air et enlever l'assemblage du purificateur d'air.
- Séparer le filtre en mousse du filtre en papier. Inspecter les deux filtres et les remplacer s'ils sont endommagés.
- Pour nettoyer le filtre en papier, utiliser de l'air comprimé ou taper le filtre en papier plusieurs fois sur une surface dure pour enlever la saleté.
- Nettoyer le filtre en mousse dans de l'eau savonneuse tiède. Le rincer et le laisser sécher.
- Appliquer une légère couche d'huile pour moteur sur l'élément du filtre en mousse, puis l'extraire en appuyant sur l'élément.
- Réinstaller le filtre en mousse sur le filtre en papier.
- Réinstaller l'assemblage du purificateur d'air et réinstaller la vis papillon pour le sécuriser.

**NOTE :** S'assurer que le joint est en place avant de réinstaller l'assemblage du purificateur d'air.

- À l'aide d'un linge humide, essuyer l'intérieur du couvercle du purificateur d'air. S'assurer de ne pas laisser pénétrer la poussière dans le carburateur.
- Réinstaller le couvercle du purificateur d'air et réinstaller la vis papillon pour le sécuriser.

**NOTE :** Ne pas faire fonctionner la laveuse à pression si l'assemblage du purificateur d'air n'est pas en place. Ceci entraînerait une usure rapide du moteur.

## VIDANGE DE LE LUBRIFIANT MOTEUR

Voir la figure 25.

- Éteindre le moteur.
- Nettoyer la surface située autour du bouchon/jauge du réservoir d'huile, puis le retirer.

**NOTE :** Retirer la jauge pour faciliter et accélérer le drainage de l'huile.

- Débrancher le fil de la bougie du moteur.
- Pour vider le lubrifiant, retirer la huiler le bouchon d'égout située dans la partie inférieure du moteur. Vider l'huile dans un contenant approuvé à cet effet, puis réinstaller le bouchon d'égout et serrer fermement.

**NOTE :** Vidanger l'huile alors que le moteur est suffisamment chaud, mais sans être brûlant. Il est plus facile et plus rapide de purger complètement l'huile lorsque celle-ci est chaude.



### AVERTISSEMENT :

Ne pas changer le lubrifiant du moteur pendant qu'il est chaud. Un contact accidentel avec un lubrifiant pour moteur chaud peut provoquer des blessures graves.

- Remplir le réservoir d'huile en suivant les instructions décrites à la section intitulée **Ajout/Vérification de Lubrifiant pour Moteur** au début du manuel. Pour connaître le volume de remplissage d'huile, consulter les **Fiche technique** au début du manuel ou le manuel fourni avec le moteur, si nécessaire.
- Avant d'utiliser la laveuse à pression, s'assurer que le moteur ne présente aucune fuite.

**NOTE :** Consulter les lignes directrices relatives à la gestion des déchets dangereux dans votre secteur afin de connaître la façon appropriée de se débarrasser de le lubrifiant.

## ENTRETIEN DE LA BOUGIE

Voir la figure 26.

- Nettoyer la surface située autour de la base de la bougie d'allumage avant de retirer cette dernière afin de garder le moteur exempt de poussières et de débris. Retirer la bougie.
  - Nettoyer les dépôts de carbone se trouvant sur l'électrode de la bougie à l'aide d'un nettoie-bougie ou d'une brosse métallique. Remplacer la bougie si elle est usée ou si sa réutilisation est discutable. Pour remplacer la bougie, consulter les **Fiche technique** au début du manuel ou le manuel fourni avec le moteur, si nécessaire.
  - Vérifier l'écartement des pointes d'électrode. Il doit mesurer entre 0,7 et 0,8 mm. Ajuster l'écartement au besoin en pliant avec précaution l'électrode de mise à la terre.
  - Vérifier l'état du joint de bougie.
  - Réinstallez de bougie. La visser à la main et serrer à la main.
  - Serrer à l'aide d'une clé afin de compresser la rondelle. S'il s'agit d'une nouvelle bougie, tourner la clé d'un demi-tour pour compresser adéquatement la rondelle. Si une ancienne bougie est réutilisée, tourner la clé sur 1/8 ou 1/4 tour pour compresser adéquatement la rondelle.
- NOTE :** Si la bougie est serrée de façon inappropriée, elle peut devenir très chaude et endommager le moteur.

## LUBRIFICATION DU POMPE

La pompe de cet outil sont enduits d'une quantité suffisante de lubrifiant de haute qualité pour la durée de vie de l'outil, dans des conditions d'utilisation normales. Aucune autre lubrification n'est donc nécessaire.

## ENTRETIEN DE LA POMPE

Inspectez visuellement et régulièrement la pompe. Si vous constatez une fuite d'huile autour des joints d'étanchéité de la pompe, confiez la réparation de la laveuse à pression à un centre de réparations qualifié.

La pompe de la laveuse à pression ne renferme aucune pièce qui peut être réparée par l'utilisateur. Toute tentative de procéder à l'entretien de la pompe ou de la modifier peut endommager la laveuse à pression et annuler la garantie du produit.

## REMISAGE DE LA LAVEUSE À PRESSION

See Figure 27.

**NOTE : L'utilisation régulière d'un stabilisateur de carburant et d'un protecteur de pompe permettra une meilleure performance de l'appareil et augmentera la durée de vie de la pompe.**



### AVERTISSEMENT :

Pendant lors du rangement, allouez un espace libre de 91,4 cm (3 pi) de chaque côté et au-dessus de la produit. Laisser refroidir l'appareil au moins 30 minutes avant de le ranger. La chaleur crée par le tuyau et les gaz d'échappement peut être suffisamment chaude pour enflammer des objets combustibles.

Remiser la machine dans un endroit sec à l'abri des intempéries.

Il est important de remiser ce produit à l'abri du gel. Toujours vider l'eau de tous les flexibles, de la pompe et du réservoir de savon avant de remiser l'équipement.

- Ranger le laveuse à pression après avoir brûlé tout le carburant en laissant tourner le moteur. L'essence stockée peut s'éventer en 30 jours.

**NOTE :** S'assurer que l'alimentation en eau est branchée et ouverte au moment de faire fonctionner le moteur de la laveuse à pression.

- S'assurer que le commutateur marche/arrêt est ARRÊT et le robinet de carburant est en position FERMÉ.
- Débrancher à la fois la haute pression et basse pression connexions d'eau.
- Vider la pompe en tirant environ 6 fois sur le lanceur à rappel. Ceci doit retirer la plupart du liquide de la pompe.

### AVIS :

Si la température de l'endroit où est rangée la laveuse à pression s'abaisse sous 0 °C (32 °F), l'utilisation d'un protecteur de pompe est requise avant le rangement de l'appareil afin d'éviter les dommages causés par le gel. Les dommages causés par le gel annuleront la garantie.

- Vider le lubrifiant usagé et le remplacer par un lubrifiant frais et propre comme décrit sous **Ajout/Vérification de Lubrifiant pour Moteur** de la section *Utilisation* de ce manuel.
- Déconnecter le fil de bougie et retirer la bougie. Verser environ une cuillère à thé lubrifiant propre pour moteur quatre temps refroidi par air, par le trou de bougie, dans la chambre de combustion.
- La bougie étant retirée, tirer deux ou trois fois sur le poignée du lanceur et corde pour enduire l'intérieur de la paroi de cylindre.
- Inspecter la bougie et nettoyer ou remplacer, selon le besoin.
- Réinstaller la bougie, mais laisser son fil débranché.
- Nettoyer le filtre à air.
- Tirer la poignée du lanceur et corde pour vérifier son état. Si elle est usée, la confier immédiatement à un centre de réparations qualifié afin de la faire remplacer.
- Retirer tous les tuyaux. Embobiner les tuyaux et remiser comme illustré. Ne pas permettre au tuyau pour devenir tortillé.
- Remiser l'unité et les accessoires dans un secteur qui n'atteint pas les températures inférieures à 0 °C. Ne pas ranger près de la fournaise ou près des autres sources de chaleur qui pourrait sécher les joint d'étanchéité de pompe.

## REMISE EN SERVICE APRÈS REMISAGE

- Tirer trois ou quatre fois la poignée du lanceur et corde pour évacuer lubrifiant de la chambre de combustion.
- Retirer la bougie du cylindre. Essuyer lubrifiant de la bougie et la remettre en place dans le cylindre.
- Reconnecter le fil de bougie.
- Approvisionner la machine en carburant, comme indiqué plus haut dans ce manuel d'utilisation.

# ENTRETIEN

## TABLEAU DE CALENDRIER D'ENTRETIEN PÉRIODIQUE

**NOTE :** Si un autre manuel du moteur est fourni avec cette laveuse à pression, veuillez respecter le calendrier d'entretien présenté dans le manuel du moteur au lieu de suivre les instructions d'entretien décrites ci-dessous.

Articles d'entretien	Chaque utilisation	Semaines	5 heures	25 heures	50 heures	200 heures
Vérifier s'il ya des fuites d'eau sous tubulure, dans le carter	X					
Plomberie		X				
Nettoyer la moteur et vérifier les écrous et boulons	X					
Vérifier et remplir l'huile moteur	X					
Vérifier la position du filtre d'arrivée d'eau <sup>2</sup>	X					
Ajouter un stabilisateur de carburant	X					
Ajouter un protecteur de pompe	X					
Changer l'huile moteur <sup>1</sup>			X		X	
Vérifier la bougie					X	
Nettoyer le filtre à air				X		
Remplacer le filtre à air						X
Nettoyer et régler la bougie et électrode					X	
Remplacer la bougie						X

<sup>1</sup> Le changement d'huile initial doit être exécuté après les 5 premières heures de fonctionnement. Par la suite, changer l'huile toutes les 50 heures d'utilisation.

<sup>2</sup> Un filtre d'arrivée d'eau manquant ou endommagé doit être remplacé. Voir la liste des pièces de rechange disponible en ligne ou appeler le service à la clientèle pour connaître le numéro de pièce avant de passer une commande.

**NOTE :** En cas d'incertitude concernant l'une des opérations d'entretien indiquées ci-dessus, apporter l'unité à un centre de réparation qualifié pour faire exécuter les opérations d'entretien.

**Ce produit est accompagné d'une garantie limitée de trois (3) ans pour utilisation personnel, familiales ou domestiques (90 jours pour utilisation affaires ou commerciaux). Pour obtenir les détails de la garantie, visiter le site [www.ryobitools.com](http://www.ryobitools.com) ou appeler (sans frais) au 1-800-860-4050.**

# DÉPANNAGE

PROBLÈME	CAUSE POSSIBLE	SOLUTION
Le moteur ne démarre pas	<p>Pas de carburant dans le réservoir</p> <p>Pression d'eau dans le tuyau</p> <p>Bougie encrassée ou noyée</p> <p>La bougie est cassée (porcelaine fissurée ou électrodes cassées)</p> <p>Fil d'allumage en court-circuit, coupé ou débranché</p> <p>Pas d'allumage</p> <p>L'étrangleur est mal positionné</p> <p>Le moteur est noyé</p>	<p>Remplir le réservoir</p> <p>Appuyer sur la gâchette pour relâcher la pression d'eau.</p> <p>Remplacer la bougie</p> <p>Remplacer la bougie</p> <p>Remplacer le fil ou le brancher sur la bougie</p> <p>Contacter un centre de réparations qualifié</p> <p>Déplacer l'étrangleur à la position START (démarrage) pour démarrer un moteur froid. Si le moteur est chaud, l'étrangleur doit être à la position RUN (marche).</p> <p>Déplacer l'étrangleur à la position RUN (marche) et tirer la poignée et le cordon du lanceur plusieurs fois jusqu'à ce que le moteur démarre.</p>
Moteur difficile à démarrer	<p>Eau dans le carburant</p> <p>Étincelle de bougie faible</p>	<p>Vidanger l'ensemble du système et remplir de carburant frais</p> <p>Contacter un centre de réparations qualifié</p>
Le moteur manque de puissance	<p>Filtre à air encrassé</p>	<p>Nettoyer ou remplacer le filtre à air</p>
Le détergent ne se mélange pas au jet d'eau	<p>Buse haute pression fixée</p> <p>Le réservoir de savon est vide</p>	<p>Utiliser la buse bleue ou noir pour appliquer le détergent</p> <p>Ajouter du détergent dans le réservoir de savon</p>
La pompe ne produit pas de pression	<p>Buse basse pression installée</p> <p>Débit d'alimentation en eau insuffisant</p> <p>La poignée de gâchette ou fuites à la lance de pulvérisation</p> <p>Buse obstruée</p> <p>Air dans la conduite</p> <p>Fuite du tuyau</p> <p>Tuyau plié</p> <p>Pompe défectueuse</p>	<p>Remplacer par la buse haute pression</p> <p>Fournir un débit d'eau adéquat</p> <p>Vérifier des connexions et/ou remplacer la lancette</p> <p>Nettoyer la buse</p> <p>Appuyer sur la gâchette de la lancette pour chasser l'air de la conduite</p> <p>Remplacer le tuyau</p> <p>Éliminer le pli du tuyau</p> <p>Contacter un centre de réparations qualifié</p>
La machine ne parvient pas à la pression correcte de fonctionnement	<p>Diamètre du flexible insuffisant</p> <p>Arrivée d'eau réduite</p> <p>Alimentation en eau insuffisante</p> <p>Buse incorrecte installée</p>	<p>Remplacer par un tuyau d'arrosage de 3/4 po (19 mm)</p> <p>S'assurer que le tuyau n'est pas entortillé ou obstrué et qu'il ne présente pas de fuites</p> <p>Ouvrir complètement le robinet d'eau</p> <p>Installer la buse haute pression</p>

Si le problème persiste après avoir essayé les solutions ci-dessus, communiquer avec le service à la clientèle ou un centre de réparations qualifié le plus proche pour obtenir de l'aide.

## AVIS :

Le propriétaire de cet équipement est tenu d'effectuer les entretiens requis indiqués dans la section *Entretien*. Il est recommandé de conserver tous les reçus d'entretien de votre équipement. La négligence ou l'oubli de procéder à l'entretien requis représente un risque d'augmentation des émissions, de diminuer le rendement énergétique, de nuire à la performance, créer des bris irréparables du moteur et de annuleront la garantie.

# INSTRUCCIONES DE SEGURIDAD IMPORTANTES

## PELIGRO:

**Riesgo de incendios y lesiones por quemaduras:** Nunca retire la tapa de combustible mientras esté encendida la unidad. Apague el motor y deje enfriar la unidad durante al menos cinco minutos. Retire la tapa lentamente.

## ADVERTENCIA:

**Lea y comprenda todas las instrucciones.** El incumplimiento de todas las instrucciones siguientes puede causar descargas eléctricas, incendio o intoxicación por monóxido de carbono, lo cual puede causar la muerte o lesiones graves.

## GUARDE ESTAS INSTRUCCIONES ÁREA DE TRABAJO

- **Familiarícese con la herramienta.** Lea cuidadosamente el manual del operador. Aprenda los usos y limitaciones de la máquina, así como los posibles peligros específicos de esta herramienta.
- **Mantenga las protecciones en su lugar** y en buenas condiciones de trabajo. Nunca utilice la herramienta con ninguna de las protecciones o cubiertas quitadas. Asegúrese de que todas las protecciones estén funcionando de forma correcta antes de utilizar la unidad.
- **Retire toda llave y herramienta de ajuste.** Adquiera el hábito de verificar que se haya retirado de la herramienta eléctrica toda llave y herramienta de ajuste antes de encenderla.
- **Para reducir el riesgo de lesiones,** mantenga a alejados a niños y demás circunstancias. Todos los presentes deben llevar puestos anteojos de seguridad y permanecer a una distancia segura del área de trabajo.
- **Mantenga alejadas del área de trabajo a todas las personas,** particularmente a los niños de corta edad, y también a las mascotas.
- **No haga arrancar o funcionar el motor en un espacio confinado, de edificio, cerca de ventana abiertas, o en otro área sin ventilación donde se puedan recolectar las emanaciones de monóxido de carbono.** El monóxido de carbono, un gas incoloro, inodoro y sumamente peligroso, puede causar la pérdida de la conciencia o la muerte.
- **Use la herramienta adecuada a la tarea.** No fuerce la herramienta ni ningún accesorio a efectuar tareas para las que no están hechos. No la use para propósitos no indicados en las instrucciones.
- **Vístase adecuadamente.** Use pantalones largos y mangas largas. No vista ropas, corbatas o joyas holgadas. Pueden resultar atrapadas y tirar de usted hacia piezas en movimiento. Se recomiendan guantes y calzado antiderrapantes al trabajar al aire libre. Si tiene el pelo largo cúbrase de alguna manera para contenerlo.
- **No accione el equipo cuando esté descalzo o al llevar puestas sandalias o calzado liviano similar.** Use calzado de seguridad que le proteja sus pies y mejore su postura en superficies resbaladizas.
- **Tenga suma precaución para evitar resbalarse o caer.**
- **Siempre póngase protección ocular con protección lateral con la marca de cumplimiento de la norma ANSI Z87.1.** Con el cumplimiento de esta regla se reduce el riesgo de lesiones corporales serias.
- **No se estire ni se pare sobre escalones, escaleras, azoteas o soportes inestables.** Mantenga una postura firme y buen equilibrio en todo momento.
- **Utilice sólo accesorios recomendados.** El empleo de accesorios inadecuados puede presentar riesgos de lesiones.
- **Siga las instrucciones de la mantenimiento especificadas en este manual.**
- **Inspeccione las piezas dañadas.** Antes de seguir utilizando la herramienta, es necesario inspeccionar cuidadosamente toda protección o pieza dañada para determinar si funcionará correctamente y desempeñará la función a la que está destinada. Verifique la alineación de las partes móviles, que no haya atoramiento de las mismas, que no haya piezas rotas, el montaje de las piezas y cualquier otra condición que pudiera afectar su funcionamiento. Toda protección o pieza que esté dañada debe repararse apropiadamente o reemplazarse en un centro de servicio calificado.
- **Nunca deje desatendida ninguna herramienta en funcionamiento. Apague la herramienta.** No se aleje de la herramienta hasta no verla completamente detenida.
- **Conserve el motor limpio de césped, hojas o grasa** a fin de reducir el riesgo de incendio.
- **Mantenga el tubo de escape libre de objetos extraños.**
- **Siga las recomendaciones del fabricante para lograr la carga, descarga, transporte y almacenamiento seguros de la máquina.**
- **Familiarícese completamente con los controles.** Aprenda a detener la máquina y a liberar rápidamente la presión.
- **Mantenga la herramienta seca, limpia y libre de aceite y grasa.** Siempre utilice un paño limpio para la limpieza de la unidad. Nunca utilice fluidos para frenos, gasolina, productos a base de petróleo ni solventes para limpiar la herramienta.
- **Permanezca alerta y en control.** Preste atención a lo que esté haciendo y aplique el sentido común. No utilice la herramienta cuando esté cansado. No se apresure.
- **No utilice la unidad si se encuentra bajo los efectos de drogas, alcohol o medicamentos.**
- **Revise el área de trabajo cada vez antes de utilizar esta herramienta.** Retire todos los objetos como piedras, vidrio roto, clavos, alambre o cuerda que puedan salir disparados o enredarse en la máquina.
- **No utilice la herramienta si el interruptor no apaga.** Lleve todo interruptor a un centro de servicio calificado para que lo reparen.
- **Antes de limpiar, reparar o inspeccionar la máquina,** apague el motor y cerciórese de que se hayan detenido todas las partes en movimiento. Desconecte el cable de la bujía, y mantenga dicho cable alejado de la bujía para evitar el arranque accidental de la unidad.
- **Evite tener un entorno de trabajo peligroso.** No utilice herramientas eléctricas en lugares húmedos o mojados ni las esponja a la lluvia. Mantenga bien iluminada el área de trabajo.
- **Nunca utilice la unidad en una atmósfera explosiva.** El chispeo normal del motor podría encender los gases presentes.
- **No utilice la unidad mientras fuma ni cerca de llamas abiertas.**
- **No utilice la unidad cerca de vegetación o ramas secas,** paños de textiles ni otros materiales inflamables.
- **ADVERTENCIA: Riesgo de inyección o de lesión** – No dirija el chorro hacia las personas.




# REGLAS DE SEGURIDAD ESPECÍFICAS

- **Sea precavido cuando posicione la lavadora de presión para usarla.** El aire tibio que sale del motor podría causar áreas puntuales descoloridas en el césped.
- **Nunca dirija un chorro de agua en dirección de personas o animales, ni hacia dispositivos eléctricos.**
- **Antes de iniciar cualquier operación de limpieza,** cierre puertas y ventanas. Despeje el área a limpiar y elimine cualesquier desechos, juguetes, muebles de patio u otros objetos que pudiesen crear un peligro.
- **Nunca alce ni transporte una máquina mientras se encuentre en marcha.**
- **Nunca ponga en marcha la máquina** si se ha formado hielo en cualquier parte del equipo.
- **No use soluciones ácidas, alcalinas, solventes, materiales inflamables o de grado industrial** en este producto. Estos productos pueden causar lesiones físicas al operador y daños irreparables a la máquina.
- **Siempre ponga en marcha la máquina** en superficies niveladas. Si el motor se encuentra inclinado, podría agarrotarse debido a la lubricación insuficiente (incluso con el nivel de aceite al máximo).
- **ADVERTENCIA: Los chorros de alta presión pueden ser peligrosos si se utilizan indebidamente.** Nunca dirija el chorro a personas, animales, dispositivos eléctricos ni a la máquina misma.
- **Sujete el mango con gatillo firmemente con ambas manos.** Se espera que el mango del gatillo se mueva cuando se tire del gatillo como consecuencia de las fuerzas de reacción. La inobservancia de esta advertencia podría causar pérdida de control y lesiones a usted y a otras personas.
- **Nunca intente efectuar ajuste alguno mientras el motor está en marcha** (excepto cuando así lo recomiende específicamente el fabricante).
- **Cuando el motor esté en marcha, es imperativo que las cubiertas de protección cubran las partes en movimiento.**
- **Mantenga la entrada de aire de enfriamiento** (el área del mango del arrancador y cuerda) y el lado del silenciador alejados un mínimo de 91 cm (tres pies) de cualquier edificación, obstrucciones y otros objetos combustibles.
- **Mantenga alejado el motor de materiales inflamables y de otros materiales peligrosos.**
- **Evite el contacto con las partes calientes de la unidad.** El silenciador, gases de escape y otras partes del motor se calientan mucho. No toque el silenciador ni coloque partes del cuerpo en la trayectoria de los gases de escape, estos pueden causar quemaduras y otras lesiones personales graves.
- **No toque la bujía ni el cable de ignición** durante el arranque ni durante el funcionamiento del motor.
- **Cada vez antes de usar la unidad, inspeccione las mangueras de combustible y los acoplamientos pertinentes** para verificar que no estén flojos ni haya derrames de combustible.
- **Antes de cada uso, inspeccione los pernos y las tuercas** para verificar que están apretados. Una tuerca o perno sueltos pueden causar problemas graves en el motor.
- **Siempre reabastezca el combustible al aire libre.** Nunca reabastezca el combustible en espacios interiores ni en áreas con ventilación insuficiente.
- **Nunca guarde la máquina con combustible en el tanque dentro de un edificio** donde haya presentes fuentes de ignición, como el agua caliente y calentadores locales, secadoras de ropa y cosas parecidas.
- **Si es necesario vaciar el tanque de combustible, hágalo al aire libre en un recipiente de uso aprobado para gasolina y alejado de fuentes de ignición.**
- **Para reducir el riesgo de incendio o de lesiones por quemadura,** maneje con cuidado el combustible. Es sumamente inflamable.
- **No fume mientras manipula combustible.**
- **Reabastezca de combustible la unidad antes de arrancar el motor.** Nunca retire la tapa del tanque de combustible ni lo reabastezca mientras esté encendida o caliente la unidad.
- **Afloje la tapa del tanque de combustible lentamente** para aliviar la presión y evitar que se escape combustible por la tapa.
- **Vuelva a colocar firmemente la tapa del tanque de combustible y la del recipiente.**
- **Limpie todo el combustible que se haya derramado de la unidad.** Aléjese por lo menos 9 metros (30 pies) del sitio de reabastecimiento de combustible antes de encender el motor.
- **Si se derrama combustible,** no intente arrancar el motor; aleje la máquina del área del derramamiento y evite causar una fuente de ignición hasta que se disipen los vapores del combustible.
- **Nunca intente en ninguna circunstancia eliminar el combustible derramado quemándolo.**
- **Antes de guardar el lavadora a presión deje que se enfríe durante 30 minutos y drene el combustible de la unidad.**
- **Guarde la unidad en un lugar frío y bien ventilado,** a una distancia segura de todo equipo generador de chispas o llamas.
- **Guarde el combustible en recipientes diseñados específicamente para tal fin.**
- **Antes de transportar la unidad en un vehículo, vacíe el tanque de combustible e inmovícelo.**
- **Al dar servicio a la unidad, sólo utilice piezas de repuesto recomendados o equivalentes.** El empleo de piezas diferentes puede causar un peligro o dañar el producto.
- **Use SOLAMENTE agua fría.**
- **Asegúrese de que haya una distancia mínima de 914 mm (tres pies) de todo material combustible.**
- **Nunca rocíe cierra a la superficie** para ser limpiado como usted puede dañar la superficie.
- **Después de apagar el motor, siempre tire del gatillo que se encuentra en el mango del gatillo para purgar la presión almacenada en la manguera de alta presión.** La inobservancia de esta advertencia podría causar lesiones corporales graves.
- **Para usarse sólo en el exterior.**
- **Asegúrese de que la manguera de alta presión esté conectada adecuadamente antes de usar el producto.**
- **Guarde estas instrucciones.** Consúltelas frecuentemente y utilícelas para instruir a otros usuarios. Si presta a alguien esta herramienta, facilítele también las instrucciones.











# SÍMBOLOS

Las siguientes palabras de señalización y sus significados tienen el objeto de explicar los niveles de riesgo relacionados con este producto.


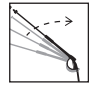


SÍMBOLO	SEÑAL	SIGNIFICADO
	<b>PELIGRO:</b>	Indica una situación peligrosa, la cual, si no se evita, causará la muerte o lesiones serias.
	<b>ADVERTENCIA:</b>	Indica una situación peligrosa, la cual, si no se evita, podría causar la muerte o lesiones serias.
	<b>PRECAUCIÓN:</b>	Indica una situación peligrosa la cual, si no se evita, puede causar lesiones leves o moderadas.
	<b>AVISO:</b>	(Sin el símbolo de alerta de seguridad) Indica la información que se considera importante, pero no relacionada con lesiones potenciales (por ej. en relación a daños a la propiedad).

Es posible que se empleen en esta producto algunos de los siguientes símbolos. Le suplicamos estudiarlos y aprender su significado. Una correcta interpretación de estos símbolos le permitirá utilizar mejor y de manera más segura la producto.

SÍMBOLO	NOMBRE	DENOMINACIÓN/EXPLICACIÓN
	Alerta de seguridad	Indica un peligro posible de lesiones personales.
	Lea manual del operador	Para reducir el riesgo de lesiones, el usuario debe leer y comprender el manual del operador antes de usar este producto.
	Protección ocular	Siempre póngase protección ocular con protección lateral con la marca de cumplimiento de la norma ANSI Z87.1.
	Alerta de condiciones húmedas	No esponga la unidad a la lluvia ni la use en lugares húmedos, y nunca dirija un chorro de agua en dirección hacia dispositivos eléctricos.
	Superficie caliente y gases de escape	Para reducir el riesgo de lesiones corporales o daños materiales evite tocar toda superficie caliente y no coloque partes del cuerpo en la trayectoria de los gases de escape.
	Riesgo de inyecciones	Para reducir el riesgo de una inyección o lesión, nunca dirija un chorro de agua hacia personas o mascotas ni ponga ninguna parte del cuerpo en el chorro. Las fugas presentes en mangueras y acopladores también pueden causar lesiones por inyección. No sujete ninguna manguera ni acoplador.
	Riesgo de explosión	No pulverice líquidos inflamables. Líquidos inflamables, el combustible y sus vapores del mismo son explosivos y pueden causar quemaduras graves e incluso la muerte.
	Riesgo de incendio	No agregue combustible cuando el producto esté funcionando o o está caliente. El fuego puede causar quemaduras graves e incluso la muerte.

# SÍMBOLOS

Es posible que se empleen en esta producto algunos de los siguientes símbolos. Le suplicamos estudiarlos y aprender su significado. Una correcta interpretación de estos símbolos le permitirá utilizar mejor y de manera más segura la producto.

SÍMBOLO	NOMBRE	DENOMINACIÓN/EXPLICACIÓN
	Emanaciones tóxicas	Utilizar este producto en interiores puede provocar la muerte debido al monóxido de carbono, un gas tóxico que no se puede ver ni oler. Nunca la use en interiores, incluso si las ventanas y puertas están abiertas. Úsela solamente en exteriores y al menos a 6 metros (20 pies) de distancia de ventanas, puertas y aberturas o ventilaciones.
	Contragolpe	Para reducir el riesgo de lesiones por un contragolpe, sujete firmemente el tubo rociador con ambas manos cuando esté encendida la máquina.
	Descarga eléctrica	No use la cortadora cerca de líneas de alimentación o tomas eléctricas.
	Quemaduras químicas	Para reducir el riesgo de lesiones o daños físicos, NO USE SOLUCIONES ÁCIDAS, ALCALINAS, BLANQUEADORES, SOLVENTES, MATERIALES INFLAMABLES O DE GRADO INDUSTRIAL en este producto.

# CARACTERÍSTICAS

## ESPECIFICACIONES DEL PRODUCTO

Capacidad del tanque de combustible .....	3,6 l (0,95 gal)
Volumen de llenado de lubricante .....	0,4 l (14 oz.)
Presión máxima* .....	3 200 psi
Flujo máximo* .....	9,5 LPM (2,5 gpm)
Temperatura máxima de agua de cala.....	40 °C (104 °F)
Bujía de recambio .....	Torch/LG F7RTC o equivalente

\*Máximo que valora determinado por el estándar de PWMA PW101

## FAMILIARÍCESE CON LA LAVADORA DE PRESIÓN

Vea la figura 1.

Para usar este producto con la debida seguridad se debe comprender la información indicada en la herramienta misma y en este manual, y se debe comprender también el trabajo que intenta realizar. Antes de usar este producto, familiarícese con todas las características de funcionamiento y normas de seguridad del mismo.

## SISTEMA AUTOMÁTICO DE INYECCIÓN DE JABÓN

Vierta detergente para lavadoras a presión en el tanque de jabón para aplicar detergente rápida y fácilmente en su trabajo de limpieza. El uso de la boquilla para jabón activará el inyector de jabón con una razón de dilución de 20:1.

## TANQUE DE COMBUSTIBLE

Este tanque de combustible tiene una capacidad de 3,6 l (0,95 gal). Use gasolina sin plomo para vehículos.

## COMPARTIMIENTO PARA MANGUERA

Una vez que la manguera de alta presión esté enrollada, cuélguela en la parte trasera de la máquina utilizando la tira de gancho y lazada para ajustarla correctamente.

## INTERRUPTOR DE ENCENDIDO/APAGADO

El interruptor de encendido/apagado se utiliza en combinación con el mango del arrancador y cuerda para arrancar del motor. Además se utiliza para apagar del motor.

## BOQUILLA PARA JABÓN

La boquilla azul o negro para jabón se utiliza para aplicar detergente sólo a baja presión.

## MANGO DEL ARRANCADOR Y CUERDA

Con un tirón del mango del arrancador y cuerda se arranca el motor.

## VÁLVULA DE SEGURIDAD TÉRMICA

Este dispositivo de la bomba evita que la temperatura del agua alcance un nivel peligroso; para ello, deja salir una pequeña cantidad de agua. Una vez salida el agua, la válvula de seguridad térmica se reinicializa automáticamente.

## MANGO DEL GATILLO

El mango del gatillo dispone de una superficie de sujeción ranurada la cual proporciona control adicional de dicho tubo y reduce la fatiga del operador.

## GATILLO CON SEGURO

Al tirar del gatillo sale un chorro de agua para limpiar con alta presión. El seguro ofrece protección contra todo uso no autorizado.

# ARMADO

## DESEMPAQUETADO

Este producto requiere armarse.

- Extraiga cuidadosamente de la caja la herramienta y los accesorios. Asegúrese de que estén presentes todos los artículos enumerados en la **Lista de empaquetado**.

**NOTA:** Esta herramienta es pesada. Para evitar sufrir lesiones en la columna, levante con las piernas, no con la espalda, y obtenga ayuda cuando sea necesario.



### ADVERTENCIA:

No utilice este producto si alguna pieza incluida en la **Lista de empaquetado** ya está ensamblada al producto cuando lo desempaqueta. El fabricante no ensambla las piezas de esta lista en el producto. Éstas deben ser instaladas por el usuario. El uso de un producto que puede haber sido ensamblado de forma inadecuada podría causar lesiones personales graves.

- Inspeccione cuidadosamente la herramienta para asegurarse de que no haya sufrido ninguna rotura o daño durante el transporte.

# ARMADO

- No deseche el material de empaquetado hasta que haya inspeccionado cuidadosamente la herramienta y la haya utilizado satisfactoriamente.
- Si hay piezas dañadas o faltantes, le suplicamos llamar al 1-800-860-4050, donde le brindaremos asistencia.

## LISTA DE EMPAQUETADO

Lavadora de presión  
Manguera de alta presión de 7,6 m (25 pies)  
Mango  
Mango del gatillo  
Tubo rociador  
Boquilla de conexión rápida (4)  
Sujetadore del mango del gatillo  
Panel de almacenamiento  
Tornillos (4)  
Tuercas (4)  
Ruedas (2)  
Ejes (2)  
Pasadors del enganche (2)  
Arandelas (2)  
Lubricante para motor de 4 tiempos (SAE 30 y SAE 10W30)  
Embudo descartable  
Manual del operador

### ADVERTENCIA:

Si hay piezas dañadas o faltantes, no utilice esta herramienta sin haber reemplazado todas las piezas. Usar este producto con partes dañadas o faltantes puede causar lesiones serias al operador.

### ADVERTENCIA:

No intente modificar esta herramienta ni hacer accesorios no recomendados para la misma. Cualquier alteración o modificación constituye maltrato, el cual puede causar una condición peligrosa, y como consecuencia posibles lesiones serias.

### ADVERTENCIA:

Para evitar un arranque accidental que podría causar lesiones corporales graves, siempre desconecte el cable de la bujía del motor de la bujía misma al ensamblar las piezas.

## HERRAMIENTAS NECESARIAS

Vea la figura 2.

Para armar la unidad se necesitan las siguientes herramientas (no incluido o dibujado para escalar):

- Destornillador Phillips
- Llave de 10 mm

## INSTALACIÓN DE LAS RUEDAS

Vea la figura 3.

- Localice el eje, los pasadores de enganche, las arandelas y las ruedas.
- Pase el eje a través del agujero situado en el centro de la rueda.
- Deslice la arandela a través del eje.
- Levante la máquina e introduzca el conjunto del eje en el agujero de montaje de la rueda situado en la base de la máquina.
- Empuje el pasador de enganche hacia adentro del agujero del extremo del eje para asegurar el conjunto de las ruedas.  
**NOTA:** Debe introducirse el pasador de enganche en el eje hasta que el centro de aquél descansa en la parte superior de éste.
- Repita el proceso con la segunda rueda.

## INSTALACIÓN DEL MANGO

Vea la figura 4.

### PRECAUCIÓN:

Sea precavido cuando instale el mango en el bastidor: evite pellizcarse los dedos o las manos.

Presione y sostenga el botón de seguridad en el armazón a medida que desliza el mango sobre el armazón.

**NOTA:** Tire del mango hacia arriba hasta que el botón de aseguramiento pase a través de la ranuras correspondiente y asegure el mango en su lugar.

## INSTALACIÓN EL PANEL DE ALMACENAMIENTO Y EL SUJETADORE DEL MANGO DEL GATILLO

Vea las figuras 5 y 6.

- Alinee los orificios en el panel de almacenamiento con los orificios del sujetadore del mango del gatillo, como se muestra.
- Introduzca los tornillos a través de los orificios izquierdo (vista desde el frente). Coloque las tuercas y ajústelos con seguridad utilizando un destornillador Phillips y una llave de 10 mm (no provisto).
- Alinee el sujetadore del mango del gatillo con los agujeros del mango y el panel en el lado opuesto, como se muestra.
- Inserte los otros tornillos a través de las orificios, luego instale las tuercas y apriete firmemente.

## COMO CONECTAR EL TUBO ROCIADOR AL MANGO DEL GATILLO

Vea la figura 7.

- Coloque el extremo del tubo rociador en el conector del extremo el mango del gatillo.
- Apriete completamente el conector para asegurar en su lugar el tubo de rociado.

# ARMADO

## CÓMO CONECTAR LA MANGUERA DE ALTA PRESIÓN AL MANGO DEL GATILLO

Vea la figura 8.

- Enrosque el casquillo de la manguera de alta presión en el acoplador de entrada el mango del gatillo; para ello, gire a la derecha el casquillo de la manguera. Apriete firmemente.  
**NOTA:** Tenga cuidado de no trasroscar la rosca, ya que esto podría provocar que el mango del gatillo pierda durante su uso.
- Tire de la manguera para asegurarse de que esté debidamente asegurada.

## CÓMO CONECTAR LA MANGUERA DE ALTA PRESIÓN A LA BOMBA

Vea la figura 9.

- Desenrolle y enderece completamente la manguera de alta presión para evitar la formación de acodaduras.  
**NOTA:** Vea **Uso de la manguera de alta presión en la sección Funcionamiento** para obtener más información sobre el uso de la manguera de alta presión.
- Alinee el casquillo con la salida con rosca de la bomba.
- Coloque el casquillo de la manguera de alta presión en la conexión roscada.
- Gire a la derecha el casquillo y fije firmemente la manguera a la bomba.  
**NOTA:** Tenga cuidado de no trasroscar la rosca, ya que esto podría provocar que la manguera pierda durante su uso.
- Tire de la manguera para asegurarse de que esté debidamente asegurada.

## CÓMO CONECTAR UNA MANGUERA DE JARDÍN A LA LAVADORA DE PRESIÓN

Vea la figura 10.

### AVISO:

Siempre observe las normas locales cuando conecte las mangueras a la tubería principal de agua. En algunas áreas existen restricciones para la conexión directa al suministro público de agua potable a fin de evitar la retroalimentación de químicos al suministro de agua potable. La conexión directa a través de un tanque receptor o de una válvula contra reflujo suele estar permitida.

El suministro de agua debe venir de la tubería principal de agua. NUNCA use agua caliente o agua de piscinas, lagos, etc. Antes de conectar una manguera de jardín a la lavadora de presión:

- Deje correr agua por la manguera durante 30 segundos para limpiar toda la basura que pueda haber en el interior de la misma.
- Inspeccione el cedazo de la entrada de agua.
- Si está dañado el cedazo, no utilice la máquina sino hasta haber reemplazado aquél.
- Si está sucio el cedazo, límpielo antes de conectar la manguera de jardín a la máquina.

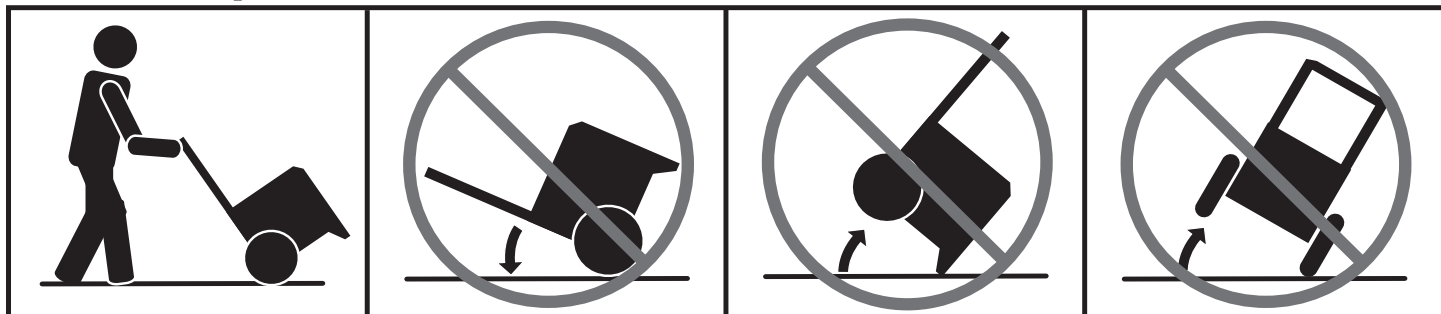
### Para conectar una manguera de jardín a la máquina:

- Desenrolle completamente la manguera de jardín o quítela completamente del carrete para evitar la formación de acodaduras.  
**NOTA:** Debe haber un mínimo de 3 metros (10 pies) de manguera sin ninguna restricción en el flujo de la misma, entre la entrada de la lavadora de presión y el grifo o válvula de cierre (como un conector de cierre en "Y").
- Teniendo el grifo de la manguera completamente cerrado, conecte el extremo de la manguera de jardín a la entrada de agua. Efectúe el apriete con la mano.

### AVISO:

No encienda la lavadora a presión si no hay un suministro de agua conectado y encendido, dado que esto podría dañar los sellos de alta presión y disminuir la vida útil de la bomba. Desenrolle la manguera por completo de su carrete o bobina y asegúrese de que la manguera no esté restringida por neumáticos, rocas, ni ningún otro objeto que pueda disminuir o bloquear el flujo de agua hacia la lavadora a presión.

## ¡NO INCLINE DEMASIADO LA UNIDAD!



# FUNCIONAMIENTO

## **ADVERTENCIA:**

No permita que su familiarización con este producto lo vuelva descuidado. Tenga presente que un descuido de un instante es suficiente para causar una lesión grave.

## **ADVERTENCIA:**

Siempre póngase protección ocular con protección lateral con la marca de cumplimiento de la norma ANSI Z87.1. Si no cumple esta advertencia, los objetos que salen despedidos pueden producirle lesiones serias en los ojos.

## **ADVERTENCIA:**

No utilice ningún aditamento o accesorio no recomendado por el fabricante de esta herramienta. El empleo de aditamentos o accesorios no recomendados podría causar lesiones serias.

## **ADVERTENCIA:**

Nunca dirija un chorro de agua en dirección de personas o animales, ni hacia dispositivos eléctricos. El incumplimiento de estas instrucciones podría resultar en lesiones graves, electrocución o la muerte.

## **ADVERTENCIA:**

**Riesgo de quemaduras graves.** No toque el silenciador ni coloque partes del cuerpo en la trayectoria de los gases de escape, estos pueden causar quemaduras y otras lesiones personales graves.

## **AVISO:**

Este producto no cuenta con un parachispas y no se puede usar en terrenos forestales de EE. UU., además, los usuarios del producto deben cumplir con los reglamentos de prevención de incendios locales, estatales y federales. Consulte a las autoridades que correspondan.

## **AVISO:**

Antes de cada uso, inspeccione todo el producto para detectar partes dañadas, faltantes o sueltas, como tornillos, tuercas, pernos, tapas, etc. Apriete firmemente todos los sujetadores y las tapas y no accione este producto hasta que todas las partes faltantes o dañadas sean reemplazadas. Póngase en contacto con el servicio al cliente o con un centro de servicio calificado para obtener ayuda.

## **USOS**

Puede usar esta herramienta en la casa para limpiar la mayoría de las superficies exteriores horizontales o verticales grandes o pequeñas, las estructuras y objetos exteriores pequeños y las herramientas y equipos para uso al aire libre.\* Puede:

- Limpiar o quitar moho y hongos de terrazas, caminos de entrada, patios, caminos, aceras y otras superficies desgastadas.
- Quitar la suciedad de diversas superficies exteriores verticales tales como exteriores de casas, revestimientos de muros exteriores, cercas, paredes de ladrillo, hormigón o piedra, etc.
- Limpiar botes, muebles de patio, equipos de jardinería eléctricos o no, canalones, paneles de ventanas, parrillas, juegos para niños, etc.

*\*Siempre pruebe primero en un área poco notoria.*

## **ABASTECIMIENTO Y VERIFICACIÓN DE LUBRICANTE**

*Vea la figura 11.*

**NOTA:** Esta máquina se embarcó con cerca de dos onzas de lubricante de las pruebas en el motor. **Es necesario abastecer de lubricante el motor antes de arrancarlo por primera vez.**

### **AVISO:**

Cualquier intento de arrancar el motor sin abastecerlo de lubricante puede causar la descompostura del mismo.

### **Para añadir lubricante para motor:**

- Coloque la lavadora de presión sobre una superficie horizontal nivelada. No la incline.
- Desenrosque la tapa del aceite con varilla de nivel; para ello, gírela a la izquierda.
- Antes de usar por primera vez, vierta todo el lubricante provisto, excepto 60 ml (2 oz), en el motor por medio del orificio de llenado de aceite. Verifique si debe agregar más lubricante y hágalo según sea necesario hasta que el nivel alcance la parte superior del área de rayado de la varilla. **No lo llene en exceso.**
- Vuelva a colocar la tapa del aceite con varilla de nivel y apriétela firmemente.

### **Para verificar el nivel de lubricante para motor:**

- Coloque la lavadora de presión sobre una superficie horizontal nivelada. No la incline.
- Desenrosque la tapa del aceite con varilla de nivel; para ello, gírela a la izquierda.
- Limpie la varilla de nivel y vuelva a asentarla en el agujero; no la enrosque.
- Retire de nuevo la varilla medidora de lubricante y verifique el nivel de lubricante. El nivel de aceite siempre debe estar dentro del área cubierta con rayas entrecruzadas de la varilla medidora.

# FUNCIONAMIENTO

- Si está bajo el nivel, abastezca de lubricante el motor hasta que el nivel del fluido alcance la parte superior del área cubierta con rayas entrecruzadas de la varilla. **No lo llene en exceso.**
- Vuelva a colocar la tapa de relleno de aceite/varilla medidora de aceite y asegúrela.

## AVISO:

No lo llene excesivamente. Llenar excesivamente el cárter puede producir humo en exceso y daños en el motor.

## COMBUSTIBLES MEZCLADOS CON ETANOL

### AVISO:

**No utilice combustibles E15 o E85 con este producto. Esto constituye una violación a la ley federal, dañará la unidad y anulará la garantía. Use únicamente gasolina sin plomo con un contenido de hasta 10 % de etanol.**

## ABASTECIMIENTO DEL TANQUE DE GASOLINA

Vea la figura 12.

### ⚠ PELIGRO:

**Riesgo de incendios y lesiones por quemaduras:** Nunca retire la tapa de combustible mientras esté encendida la unidad. Apague el motor y deje enfriar la unidad durante al menos cinco minutos. Retire la tapa lentamente.

### ⚠ ADVERTENCIA:

La gasolina y los vapores de la misma son extremadamente inflamables y explosivos. Para evitar lesiones y daños físicos serios, maneje con cuidado la gasolina. Manténgala lejos de fuentes de ignición, manéjela solamente al aire libre, no fume mientras vierta la gasolina y limpie de inmediato cualquier derramamiento que ocurra.

### ⚠ ADVERTENCIA:

Apague siempre el motor antes de reabastecer combustible. Nunca retire la tapa de combustible ni agregue combustible a una máquina mientras el motor esté en funcionamiento o caliente. Asegúrese de que la unidad esté apoyada en una superficie horizontal y nivelada, y solo agregue combustible al aire libre. Si el motor está caliente, deje que el unidad se enfríe durante al menos cinco minutos antes de reabastecer. Vuelva a colocar inmediatamente la tapa del tanque después de reabastecer y apriétela firmemente. Aléjese al menos 9 metros (30 pies) del sitio de carga de combustible antes de poner en marcha el motor. No fume y permanezca lejos de llamas abiertas y chispas! La inobservancia de estas instrucciones podrían provocar un incendio y lesiones personales graves.

### ⚠ ADVERTENCIA:

Revise la herramienta para ver si tiene fugas de combustible. Una tapa del tanque de combustible, tanque o conductos, con fugas constituye un riesgo de incendio y debe reemplazarse inmediatamente. Si encuentra fugas, corrija el problema antes de utilizar la herramienta. De lo contrario puede producirse un incendio, con el consiguiente riesgo de lesiones serias.

**NOTA: Este es un motor de cuatro tiempos. No mezcle el lubricante y el combustible.**

- Ponga la válvula de combustible en la posición CERRADO.
- Mezcle el estabilizador de combustible con la gasolina de acuerdo con las instrucciones del fabricante del estabilizador de combustible.
- Antes de retirar la tapa del combustible, limpie el área circundante de la unidad. Retire la tapa del combustible.
- Introduzca un embudo limpio en el tanque de combustible y después vierta lentamente la gasolina en el tanque. Llene el tanque hasta una altura aproximada de 38 mm (1-1/2 pulg.) abajo de la parte superior del cuello del tanque (para permitir la expansión del combustible).
- Vuelva a colocar la tapa del combustible y apriétela firmemente.
- Limpie todo combustible derramado antes de encender la máquina.

## ENCENDIDO Y APAGADO DE LA LAVADORA DE PRESIÓN

Vea las figuras 13 a 16.

### AVISO:

No encienda la lavadora a presión si no hay un suministro de agua conectado y encendido, dado que esto podría dañar los sellos de alta presión y disminuir la vida útil de la bomba. Desenrolle la manguera por completo de su carrete o bobina y asegúrese de que la manguera no esté restringida por neumáticos, rocas, ni ningún otro objeto que pueda disminuir o bloquear el flujo de agua hacia la lavadora a presión.

### Antes de arrancar el motor:

- Conecte todas las mangueras.  
**NOTA:** Asegúrese de que el filtro para la entrada de agua de la lavadora a presión esté en su lugar y sin obstrucciones antes de conectarla.
- Revise todos los fluidos (lubricante y gasolina)
- Abra el grifo del agua y luego oprima gatillo para purgar la presión de aire; mantenga oprimido el gatillo hasta que aparezca un chorro de agua estable.  
**NOTA:** Asegúrese de que el grifo esté abierto completamente y de que no haya acodaduras o pérdidas en la manguera.

# FUNCIONAMIENTO

## Para arrancar el motor:

- Ponga la válvula de combustible en la posición ABRA.
- Ponga el interruptor de encendido/apagado en la posición ENCENDIDO.
- Mueva el cebador a la posición ARRANQUE.

**NOTA:** Si se vuelve a arrancar el motor después de haberlo apagado por un corto período (esto es, luego del reabastecimiento de combustible o del traslado), deje la palanca del anegador en la posición FUNCIONAMIENTO.

- Sujete el mango del arrancador y tire lentamente hasta que encuentre resistencia. Arranque el motor con un tirón corto y rápido del mango del arrancador y cuerda.

**NOTA:** No permita que el mango del arrancador y cuerda vuelva a calzar en su lugar una vez encendido. Colóquelo nuevamente en su lugar original con cuidado.

### AVISO:

Si el mango de arranque y de la cuerda se dificulta para tirar, apriete el gatillo para liberar la presión del agua antes de intentar arrancar el motor nuevamente.

- Deje que el motor funcione durante 5 segundos y luego lleve el obturador a la posición FUNCIONAMIENTO.

### AVISO:

Realice inspecciones visuales de la bomba y del motor en forma rutinaria durante su uso. Si nota que existen pérdidas en las juntas de la bomba o del motor, deje de usar la lavadora de presión inmediatamente y que llévelo a un centro de servicio calificado para su reparación. La inobservancia de esta advertencia puede causar daños a la propiedad.

## Para apagar el motor:

- Ponga el interruptor de encendido/apagado en la posición APAGADO.
- Ponga la válvula de combustible en la posición CERRADO.

**NOTA:** La presión del sistema no se aliviará apagando el motor. **Presione el gatillo para liberar la presión del agua.**

### ⚠ ADVERTENCIA:

Tanto en funcionamiento como al guardarlo, mantenga siempre 91,4 cm (3 pies) de espacio libre en todos los laterales de este producto, incluida la parte superior. Espere al menos 30 minutos para que el equipo se enfríe antes de guardarlo. Mantenga todas las partes del cuerpo, la ropa, los materiales combustibles y las mangueras alejadas del silenciador. El calor generado por el silenciador y los gases de escape puede ser suficiente para causar quemaduras graves, prender fuego a objetos combustibles, y/o dañar las mangueras de alta presión que puede causar lesiones por inyección.

## USO DEL MANGO DEL GATILLO

Veá la figura 17.

### ⚠ ADVERTENCIA:

Sujete el mango firmemente con ambas manos. Se espera que el mango del gatillo se mueva cuando se tire del gatillo como consecuencia de las fuerzas de reacción. La inobservancia de esta advertencia podría causar pérdida de control y lesiones a usted y a otras personas.

- Para iniciar el chorro de agua, oprima y no suelte el gatillo.
- Para interrumpir el flujo del chorro de agua por la boquilla, suelte el gatillo.

### Para accionar el seguro:

- Suba el seguro hasta dejarlo trabado en la ranura.

### Para quitar el seguro:

- Baje el seguro a su posición original.

Comience con la boquilla a una distancia de entre 30 y 60 cm (1 y 2 pies) de la superficie a limpiar y acérquese a la superficie justo lo suficiente para alcanzar el nivel de limpieza deseado. Si está demasiado cerca del chorro, puede dañar la superficie que está limpiándose.

## SELECCIÓN DE LA BOQUILLA CORRECTA PARA CADA TRABAJO

Veá la figura 18.

Cada una de las boquillas tiene un patrón de rociado diferente. Antes de empezar cualquier trabajo de limpieza, determine cuál es la mejor boquilla para el trabajo. Veá la **Guía de selección de boquillas** para obtener más información sobre qué boquilla utilizar.

### ⚠ ADVERTENCIA:

NUNCA quite las boquillas sin antes apagar el motor, liberar la presión de agua con el gatillo y colocar la traba del gatillo. NO apunte la boquilla a sí mismo ni a otras personas. El elemento de conexión rápida contiene pequeños resortes que podrían eyectar la boquilla con fuerza. Si no sigue estas instrucciones puede provocar lesiones oculares o otras lesiones personales graves.

### Para conectar una boquilla al tubo rociador:

- Apague la lavadora de presión y cierre el suministro de agua. **Oprima el gatillo para purgar el agua.**
- Accione el seguro en el mango de gatillo; para ello, suba aquél hasta que se trabe en la ranura.
- Tire del collar de conexión rápida.
- Introduzca la boquilla en su lugar en el tubo rociador.
- Empuje del collar adelante para que la boquilla quede correctamente asegurada. Asegúrese de que la boquilla esté asegurada.



# FUNCIONAMIENTO

## GUÍA DE SELECCIÓN DE BOQUILLAS

0°		25°		40°		JABÓN					
				<b>ALTA PRESIÓN</b> (NO USE ESTAS BOQUILLAS CON JABÓN)				<b>BAJA PRESIÓN</b> (PARA JABÓN O ENJUAGUES LEVES)			
ABRASIVO								LEVE			
		0° Rojo		25° Verde		40° Blanco		Boquilla azul o negro para jabón			
Cemento, ladrillo, mampostería		✓		✓		✓		✓			
Revestimiento de muros exteriores, canalones, casas				✓		✓		✓			
Cercas, terrazas, patios				✓		✓		✓			
Equipos de jardinería, botes, casas rodantes				✓		✓		✓			
✓ Boquilla recomendada    ✓ Usar con cuidado en ciertas aplicaciones											

Para desconectar la boquilla el tubo rociador una vez comenzado el trabajo de limpieza:

- Apague la lavadora de presión y cierre el suministro de agua. **Oprima el gatillo para purgar el agua.**
- Accione el seguro el el mango de gatillo; para ello, suba aquél hasta que se traben en la ranura.
- Tire y sostenga el collar de conexión rápida.
- Quite la boquilla tirando hacia atrás del collar de conexión rápida. Coloque la boquilla en el lugar donde se guardan éstas, en la parte superior de la máquina.

### USO DE LA MANGUERA DE ALTA PRESIÓN

#### ADVERTENCIA:

Daño por inyecciones. Desenrolle por completo la manguera de alta presión y enderécela antes de usarla y durante el uso y no permita que se retuerza. La manguera de alta presión tiene una cubierta exterior que hace resistente a la manguera. Si la cubierta exterior está dañada, deje de usar la manguera y rempácela inmediatamente. Una manguera retorcido o dañada puede tener una fuga de alta presión que puede provocar una inyección u otras lesiones personales graves.

Para evitar que el revestimiento externo se dañe:

- Inspeccione la manguera antes de cada uso.
- Desenrosque y estire la manguera antes de usarla.
- Evite que la manguera de alta presión se retuerza.
- Mantenga la manguera alejada de superficies calientes y bordes filosos.
- No arrastre la unidad cerca de la manguera de alta presión.
- Evite que otros objetos aplasten la manguera o que ésta se enrede con otros objetos.

### LAVADO CON DETERGENTE

Vea las figuras 19 y 20.

Tal como se vende, esta unidad está diseñada para usarse con detergentes para lavadoras a presión de “flujo descendente”. Para convertir la lavadora de modo que se pueda utilizar con detergentes de “flujo ascendente”, comuníquese con el servicio al cliente o con un centro de servicio calificado para obtener más información.

# FUNCIONAMIENTO

## AVISO:

**USE SÓLO DETERGENTES DISEÑADOS PARA LAVADORAS DE PRESIÓN.** No utilice los detergentes caseros, soluciones ácidas, alcalinas, blanqueadores, solventes, materiales inflamables o de grado industrial pueden dañar la bomba. Numerosos detergentes requieren mezclarse antes de usarse o provocar daños a la propiedad. Prepare la solución de limpieza de conformidad con las instrucciones de la botella correspondiente. Siempre pruebe en un área poco notoria antes de comenzar la limpieza.

- Retire la tapa del tanque de jabón y vierta detergente para lavadora a presión en el tanque. Vuelva a colocar la tapa al tanque.

**NOTA:** La configuración de la máquina de esta unidad es 20:1, lo que generalmente permite el uso de 3,79 l (1 galón) de detergente para lavadoras de presión sin más dilución. Consulte las instrucciones de su detergente para asegurarse de que no sea necesario realizar una dilución adicional.

- Instale la boquilla jabón (azul o negro) en el tubo rociador.
- Oprima el gatillo y espere aproximadamente 5 segundos a que comience a salir detergente.
- Rocíe el detergente en una superficie seca, con pasadas largas uniformes traslapadas. Para evitar la formación de franjas, no permita que seque el detergente en la superficie.

### Antes de apagar el motor:

- Llene el tanque de jabón con agua limpia.
- Rocíe el agua limpia a través del tubo rociador hasta vaciar el tanque.
- Si queda detergente en el rociador, repita el proceso con un segundo tanque de agua limpia.
- Apague el motor.

**NOTA:** La presión del sistema no se aliviará apagando el motor.  
**Oprima el gatillo para purgar el agua a presión.**

## ENJUAGADO CON LA LAVADORA DE PRESIÓN

- Apague la lavadora de presión y cierre el suministro de agua.  
**Oprima el gatillo para purgar el agua.**
- Accione el seguro del mango de gatillo; para ello, suba aquél hasta que se traben en la ranura.
- Retire la boquilla de jabón y coloque la boquilla en el lugar donde se guardan éstas.
- Seleccione el boquilla adecuado para el trabajo. Vea el cuadro más arriba en este manual para seleccionar el boquilla adecuado.
- Comience por la parte superior por enjuagar y avance hacia abajo, traslapando cada pasada.

## USO DEL PROTECTOR DE BOMBA

*Vea la figura 21.*

El uso regular del protector para bombas comercialmente disponible prolonga la vida de la lavadora de presión, dado que elimina los sedimentos minerales del agua dura, lubrica las juntas y los pistones de la bomba y evita los daños por

congelación. El protector de bomba debe agregarse a la unidad después de cada uso y antes de almacenarla. Este protector puede comprarse en el minorista donde compró la lavadora de presión o comunicándose con el servicio de atención al cliente. Este protector de bomba puede comprarse en el minorista donde compró la lavadora de presión o comunicándose con el servicio de atención al cliente.

Las instrucciones siguientes son para un protector de bombas típico pero siempre siga las instrucciones del fabricante del protector de bombas que utiliza.

- Apague el motor de la lavadora de presión y cierre el suministro de agua. **Tire del gatillo para purgar el agua.**
- Desconecte la manguera de jardín y la de alta presión.
- Desenrosque la parte superior de la botella del protector de bomba y retire el sello de papel de la botella. Vuelva a colocar la tapa en la botella y apriétela con fuerza.  
**NOTA:** El sello de goma debe quedar dentro de la parte superior roscada. Si se sale, asegúrese de volverlo a colocar antes de colocarle la tapa.
- Retire la tapa de la botella y calce el extremo roscado de la botella bien en la entrada de agua de la bomba de la lavadora de presión.
- Apriete la botella para inyectar el contenido en la bomba.
- Con el interruptor del motor apagado, tire de la mango del arrancador y cuerda y apriete la botella una vez más para garantizar la cobertura total.
- La bomba está protegida cuando el líquido protector sale por el orificio de descarga de la bomba.

## TRASLADO DE LA LAVADORA DE PRESIÓN

*Vea la figura 22.*

**NOTA:** Nunca alce o mueva este producto tomándolo por el mango y nunca levante este producto por el mango, ni lo cargue desde este, y nunca coloque la unidad en otra posición que no sea apoyada sobre sus ruedas.

- Apague la lavadora de presión.
- Incline la máquina hacia usted hasta equilibrarla sobre las ruedas y después empujela a la posición deseada. No incline la máquina hacia delante o hacia los lados mientras la mueve.
- NO trate de mover la unidad tirando de ninguna de las mangueras.

## OPERACIÓN A ALTITUDES ELEVADAS

Su motor está configurado para funcionar por debajo de los 914,4 m (3 000 pies) de altitud medidos en la fábrica. Su motor se debe volver a configurar para funcionar por sobre los 914,4 m (3 000 pies) de altitud. Hacer funcionar el motor con la configuración equivocada a determinada altura puede aumentar las emisiones, reducir la eficiencia del combustible, perjudicar el funcionamiento y provocar daños irreversibles al motor. Los motores que estén configurados para funcionar en una altitud alta no se pueden utilizar en condiciones de altitud estándar. Un centro de servicio calificado debe asegurarse que su motor está debidamente configurado para funcionar donde usted se encuentre.

# MANTENIMIENTO

Cualquier establecimiento o técnico de reparaciones calificado puede realizar el mantenimiento normal, el reemplazo o la reparación de los dispositivos y sistemas de control de emisiones, con repuestos originales o equivalentes. Un centro de servicio autorizado deberá realizar las reparaciones y el retiro del producto que cubra la garantía; póngase en contacto con el servicio al cliente para obtener ayuda.

## ADVERTENCIA:

Antes de inspeccionar, limpiar o dar servicio a la máquina, apague el motor, espere a que se detengan todas las piezas en movimiento, desconecte el cable de la bujía y aléjelo de ésta. Permita un período de enfriamiento de 30 minutos antes de efectuar cualquier tarea de mantenimiento. El incumplimiento de cualquiera de estas instrucciones puede causar lesiones serias.

## ADVERTENCIA:

Siempre póngase protección ocular con protección lateral con la marca de cumplimiento de la norma ANSI Z87.1. Si no cumple esta advertencia, los objetos que salen despedidos pueden producirle lesiones serias en los ojos.

## ADVERTENCIA:

Al dar servicio a la unidad, sólo utilice piezas de repuesto recomendados o equivalentes. El empleo de piezas diferentes podría causar un peligro o dañar el producto.

## AVISO:

Este producto no cuenta con un parachispas y no se puede usar en terrenos forestales de EE. UU., además, los usuarios del producto deben cumplir con los reglamentos de prevención de incendios locales, estatales y federales. Consulte a las autoridades que correspondan.

## AVISO:

Inspeccione periódicamente todo el producto para detectar partes dañadas, faltantes o sueltas, como tornillos, tuercas, pernos, tapas, etc. Apriete firmemente todos los sujetadores y las tapas y no accione este producto hasta que todas las partes faltantes o dañadas sean reemplazadas. Póngase en contacto con el servicio al cliente o con un centro de servicio calificado para obtener ayuda.

## MANTENIMIENTO GENERAL

Evite el empleo de solventes al limpiar piezas de plástico. La mayoría de los plásticos son susceptibles a diferentes tipos de solventes comerciales y pueden resultar dañados. Utilice paños limpios para eliminar la suciedad, el polvo, el aceite, la grasa, etc.

## ADVERTENCIA:

No permita en ningún momento que fluidos para frenos, gasolina, productos a base de petróleo, aceites penetrantes, etc., lleguen a tocar las piezas de plástico. Las sustancias químicas pueden dañar, debilitar o destruir el plástico, lo cual a su vez podría producir lesiones corporales serias.

Antes de encender el motor realice los siguientes pasos previos:

- Verifique que todos los pernos, tuercas, etc., estén firmemente apretados.
- Asegúrese de que esté limpio el filtro.
- Revise tanto el nivel de lubricante del motor como el nivel del tanque de combustible; reabastézcalos según sea necesario.
- Inspeccione el área de trabajo para ver si hay peligros presentes.
- Si hay ruido o vibración excesivos, apague de inmediato la unidad.

## MANTENIMIENTO DE LAS BOQUILLAS

*Vea la figura 23.*

La presión excesiva de la bomba (se siente una sensación de pulsación al estar oprimiendo el gatillo) puede deberse a que la boquilla está tapada o sucia.

- Apague la lavadora de presión y cierre el suministro de agua. **Oprima el gatillo para purgar el agua.**
- Retire la boquilla del tubo rociador.

## ADVERTENCIA:

NUNCA quite las boquillas sin antes apagar el motor y colocar la traba del gatillo. NO apunte la boquilla a sí mismo ni a otras personas. El elemento de conexión rápida contiene pequeños resortes que podrían eyectar la boquilla con fuerza. Si no sigue estas instrucciones puede provocar lesiones oculares o otras lesiones personales graves.

- Para liberar la boquilla de las obstrucciones de cualquier material extraño, retire los residuos con una clip de papel abierto o el aguja fina (no incluido).
- Con una manguera de jardín expulse de la boquilla toda la basura presente con un contraflujo (haciendo pasar hacia atrás agua por la boquilla, o sea del exterior hacia el interior).

# MANTENIMIENTO

- Vuelva a conectar la boquilla al tubo rociador.
- Abra el suministro de agua y arranque el motor.

## LIMPIEZA Y REEMPLAZO DEL FILTRO DE AIRE

*Vea la figura 24.*

Un filtro de aire sucio puede causar dificultades en el arranque, la pérdida de rendimiento y acortar la vida útil del motor. Inspeccione mensualmente el filtro de aire. Para lograr un rendimiento óptimo de la unidad, reemplace el filtro de aire de papel por lo menos una vez al año.

- Retire la tuerca mariposa de la cubierta del filtro de aire y luego quite la tapa.
- Retire la tuerca mariposa del conjunto del filtro de aire y luego quite el conjunto del filtro de aire.
- Separe el filtro de espuma del filtro de papel. Inspeccione ambos filtros y reemplázelos si están dañados.
- Para limpiar el filtro de papel, use aire comprimido o presione el elemento del filtro de aire varias veces contra una superficie dura para quitar la suciedad.
- Limpie el filtro de espuma con agua jabonosa tibia. Enjuáguelo y déjelo secar.
- Aplique una capa delgada de lubricante para motor al elemento del filtro de espuma y después estrújelo.
- Vuelva a colocar el filtro de espuma sobre el filtro de aire.
- Vuelva a colocar el conjunto del filtro de aire y, luego, coloque la tuerca mariposa para asegurarlo.

**NOTA:** Asegúrese de que la junta esté colocada antes de volver a instalar el conjunto del filtro de aire.

- Con un trapo húmedo, limpie el interior de la cubierta del filtro de aire. Tenga cuidado de no permitir que entre polvo en el carburador.
- Vuelva a colocar la tapa del filtro de aire y, luego, coloque otra vez la tuerca mariposa para asegurarlo.

**NOTA:** No ponga en funcionamiento la lavadora a presión sin el conjunto del filtro de aire. Se causa un desgaste acelerado del motor.

## CAMBIO DEL LUBRICANTE DEL MOTOR

*Vea la figura 25.*

- Apague el motor.
- Limpie el área alrededor de la tapa de llenado/varilla de aceite y luego retírelas.

**NOTA:** Retire la varilla para permitir que el lubricante drene con más facilidad y rapidez.

- Desconecte el cable de la bujía del motor.
- Para drene el lubricante, retire el tapón de drenaje del aceite de la parte inferior del motor. Drene el lubricante dentro de un contenedor aprobado, luego vuelva a instalar el tapón de drenaje del aceite y ajuste firmemente.

**NOTA:** Drene el lubricante mientras esté tibio el motor, no caliente. El lubricante tibio se dreña con mayor facilidad y completación.



### ADVERTENCIA:

No cambie el lubricante del motor cuando esté caliente. El contacto accidental con el lubricante caliente del motor podría causar quemaduras graves.

- Cargue el lubricante siguiendo las instrucciones en **Agregar/verificar el lubricante del motor** mencionadas más arriba en este manual. Para conocer la cantidad de lubricante que se debe agregar, consulte la sección anterior **Especificaciones del producto** de este manual o el manual del motor adjunto, si corresponde.
- Antes de utilizar la lavadora de presión, verifique y asegúrese de que no haya pérdidas en el motor del lubricante.

**NOTA:** Consulte las normas de desechos peligrosos de la localidad donde se encuentre para averiguar la forma correcta de desechar el lubricante usado.

## MANTENIMIENTO DE LA BUJÍA

*Vea la figura 26.*

- Antes de extraer la bujía, limpie el área alrededor de la base de la bujía para que no ingresen polvo ni desechos al motor. Retire la bujía.
- Limpie los depósitos de carbón de los electrodos de la bujía con un limpiador para bujías o un cepillo de alambre. Reemplace la bujía si está desgastada o su reutilización es dudosa. Para saber cuál es la bujía de recambio correcta, consulte la sección anterior **Especificaciones del producto** de este manual o el manual del motor adjunto, si corresponde.
- Verifique la separación interelectrónica. La separación debe ser de 0,7 a 0,8 mm. De ser necesario, ajuste la separación doblando cuidadosamente el electrodo de conexión a tierra.
- Verifique la condición de la junta de la bujía.
- Vuelva a instalar la bujía. Asiente en su lugar la bujía y enrósquela con la mano y apriete con los dedos.
- Apriete con una llave para comprimir la arandela. Si la bujía es nueva, gírela 1/2 para comprimir la arandela de manera adecuada. Si está reutilizando una bujía vieja, gírela de 1/8 a 1/4 para comprimir la arandela de manera adecuada.

**NOTA:** Cuando se ajusta la bujía de manera incorrecta, se calienta mucho y puede dañar el motor.

## LUBRICACIÓN DE LA BOMBA

La bomba de esta herramienta están lubricados con suficiente cantidad de aceite de alta calidad para toda la vida útil de la unidad en condiciones normales de funcionamiento. Por lo tanto, no se necesita lubricación adicional de los cojinetes.

# MANTENIMIENTO

## MANTENIMIENTO DE LA BOMBA

Realice una inspección visual diaria de la bomba. Si advierte una pérdida de lubricante alrededor de los sellos de la bomba, lleve la lavadora de presión a un centro de servicio calificado para que la repare.

La bomba de la lavadora de presión no contiene piezas que pueda reparar el usuario. Cualquier intento de realizar el mantenimiento de la bomba o de alterarla podrá dañar la lavadora de presión y anular la garantía del producto.

## GUARDADO DE LA LAVADORA DE PRESIÓN

Vea la figura 27.

**NOTA: El uso regular de estabilizador de combustible y de protector para bombas dará un mejor desempeño a la unidad y alargará la vida útil de la bomba.**



### ADVERTENCIA:

Al guardado, mantenga siempre 914 mm (3 pies) de espacio libre en todos los laterales de este producto, incluida la parte superior. Espere al menos 30 minutos para que el equipo se enfríe antes de guardarlo. El calor generado por el silenciador y los gases de escape puede ser suficiente para prender fuego a objetos combustibles.

Guarde la unidad en un lugar seco y cubierto, en el cual no pueda resultar dañada a la intemperie.

Es importante guardar este producto en un área protegida contra la congelación. Siempre vacíe todas las mangueras, la bomba y el tanque de jabón antes de guardar la unidad.

- Mantenga encendida la máquina hasta agotar el combustible. La gasolina puede echarse a perder en 30 días.

**NOTA:** Asegúrese de que el suministro de agua esté conectado y encendido cuando ponga en marcha el motor de la lavadora a presión.

- Asegúrese de que el interruptor de encendido/apagado y la válvula de combustible se en la posición APAGADO.
- Desconecte tanto la alta presión y de baja presión conexiones de agua.
- Vacíe la bomba; para ello, tire mango del arrancador y cuerda seis veces aproximadamente. De esta manera se elimina de la bomba la mayoría del líquido.

### AVISO:

Si el lugar donde se almacena la lavadora de presión estará a temperatura por debajo de los 0 °C (32 °F), se requerirá usar un protector de bomba antes de almacenarla para evitar daños por congelación. Los daños por congelación anulará la garantía.

- Drene el lubricante y cámbielo por lubricante nuevo y limpio como se explica en **Abastecimiento y verificación de lubricante** en la sección *Operación* de este manual.
- Desconecte el cable de la bujía y retire ésta. Vierta cerca de una cucharada chica de lubricante limpio para motor de cuatro tiempos a través del agujero de la bujía, en el interior de la cámara de combustión.
- Teniendo la bujía afuera, tire de la mango del arrancador y cuerda dos o tres veces para recubrir el interior de la pared del cilindro.
- Inspeccione la bujía y límpiela o reemplácela según sea necesario.
- Vuelva a instalar la bujía, pero deje desconectado el cable de la misma.
- Limpie el filtro de aire.
- Extienda la mango del arrancador y cuerda para controlar su condición. Si la cuerda está deshilachada, hágala cambiar de inmediato en un centro de servicio calificado.
- Retire las mangueras. Enrolle las mangueras y guarde como se muestra. No permita que la manguera se retuerza.
- Guarde la unidad y los accesorios en un área que esté protegida contra las temperaturas bajo cero. No la guarde cerca de hornos u otras fuentes de calor que pueda secar los sellos de la bomba.

## PREPARACIÓN DE LA UNIDAD PARA USARLA DESPUÉS DE TENERLA GUARDADA

- Tire del mango del arrancador y cuerda tres o cuatro veces para limpiar el lubricante de la cámara de combustión.
- Retire la bujía del cilindro. Limpie el lubricante de la bujía y vuelva a ponerla en el cilindro.
- Vuelva a conectar el cable de la bujía.
- Reabastezca de combustible la máquina de la forma descrita anteriormente en el manual del operador.

# MANTENIMIENTO

## PROGRAMA DE MANTENIMIENTO

**NOTA:** Si recibe un manual del motor para este lavadora a presión, respete el cronograma de mantenimiento que se indique en el manual del motor para todos los puntos de mantenimiento de motor y no la información de mantenimiento que figura a continuación.

Artículos de mantenimiento	Cada uso	Semanas	5 horas	25 horas	50 horas	200 horas
Revise si hay fugas de agua bajo colector, en el cárter	X					
Plomería		X				
Limpiar motor y revisar tuercas y pernos	X					
Revisar y vuelva a llenar el aceite del motor	X					
Controle la colocación del filtro de entrada de agua <sup>2</sup>	X					
Agregue estabilizador de combustible	X					
Agregue protector para bombas	X					
Cambiar el lubricante del motor <sup>1</sup>			X		X	
Revise la bujía					X	
Limpiar el filtro de aire				X		
Reemplazar el filtro de aire						X
Limpiar y ajustar la bujía y electrodos					X	
Reemplazar la bujía						X

<sup>1</sup> Se debe realizar el cambio inicial de lubricante después de las primeras 5 horas de funcionamiento. A partir de ese momento, cambie el lubricante cada 50 horas.

<sup>2</sup> Si el filtro de entrada de agua falta o está dañado, debe colocarse uno nuevo. Vea la lista de piezas de repuesto disponible en línea o llame a servicio de atención al cliente para conocer el número de pieza para realizar un pedido.

**NOTA:** No está seguro sobre cómo realizar alguna de las tareas de mantenimiento enumeradas anteriormente, lleve la unidad a un centro de servicio calificado para que se realice la tarea de mantenimiento en cuestión.

**Este producto tiene una garantía limitada de tres años para fines personales, familiares o domésticos (90 días para usos trabajo o comercial).  
Para obtener detalles sobre la garantía, diríjase a [www.ryobitools.com](http://www.ryobitools.com) o llame sin cargo al 1-800-860-4050.**

# SOLUCIÓN DE PROBLEMAS

PROBLEMA	CAUSA POSIBLE	SOLUCIÓN
El motor no arranca	No hay combustible en el tanque Presión de agua en la manguera Falló o tiene corta la bujía Se rompió la bujía (se rajó la porcelana o se rompieron los electrodos) El cable de ignición tiene corto, está roto o desconectado de la bujía caso El sistema de ignición no funciona Anegador en posición incorrecta El motor está ahogado	Reabastezca el tanque Oprima el gatillo para liberar la presión de agua. Reemplace la bujía Reemplace la bujía Reemplace el cable de ignición o conéctelo a la bujía, según sea el caso Comuníquese con un centro de servicio calificado Mueva el anegador a la posición ARRANQUE para arrancar un motor frío. Si el motor está tibio, el anegador debe estar en la posición MARCHA Mueva el anegador a la posición MARCHA y tire del mango y cuerda del arrancador varias veces hasta que el motor arranque.
Cuesta trabajo arrancar el motor	Hay agua en la gasolina Está débil la chispa de la bujía	Drene todo el sistema y reabastézcalo con combustible nuevo Comuníquese con un centro de servicio calificado
Le falta potencia al motor	Está sucio el filtro de aire	Limpie o reemplace el filtro de aire
El detergente no está mezclándose en el rocío	La boquilla de alta presión es la que está conectada El tanque de jabón está vacío	Para aplicar el detergente use la boquilla de baja presión (la azul o negro) Agregue detergente al tanque de jabón
La bomba no genera presión	La boquilla de baja presión es la que está instalada El suministro de agua es inadecuado Mango del gatillo o tubo de rociador tiene pérdidas Está tapada la boquilla Aire en el conductor La manguera tiene pérdidas La manguera está acodada Está defectuosa la bomba	Reemplácela por la boquilla de alta presión Suministre un flujo de agua adecuado Verifique las conexiones y/o tiene fugas reemplace el mango del gatillo o tubo de rociador Limpie la boquilla Oprima el gatillo el mango del gatillo para eliminar el aire del conductor Cambie la manguera Quite la acodadura de la manguera Comuníquese con un centro de servicio calificado
La máquina no alcanza presión alta	Está demasiado pequeño el diámetro de la manguera de jardín Está restringido el suministro de agua No hay suficiente agua en la entrada Está puesta una boquilla equivocada	Reemplácela con una manguera de 19 mm (3/4 pulg) Revise la manguera de jardín para ver si tiene dobleces, fugas o bloqueos Abra el suministro de agua a toda su capacidad Instale la boquilla de alta presión

Si el problema persiste después de probar las soluciones mencionadas arriba, contacto con el servicio al cliente o con un centro de servicio calificado para solicitar asistencia.

## AVISO:

Como propietario equipo, usted es responsable de la que realice el mantenimiento obligatorio que se indica en la sección *Mantenimiento*. Le recomendamos que guarde todos los comprobantes relacionados con el mantenimiento de su equipo. Negligencia o falta del mantenimiento indicado puede aumentar las emisiones, reducir la eficiencia del combustible, perjudicar el funcionamiento, provocar daños irreversibles al motor y anulará su garantía.



## OPERATOR'S MANUAL

MANUEL D'UTILISATION

MANUAL DEL OPERADOR

## 3200 PSI PRESSURE WASHER

LAVEUSE À PRESSION DE 3 200 PSI

LAVADORA A PRESIÓN DE 3 200 PSI

RY80588A

- **PARTS AND SERVICE:** Prior to requesting service or purchasing replacement parts, please obtain your item, manufacturing, and serial numbers from the product data plate.

ITEM NO. \_\_\_\_\_

MANUFACTURING NO. \_\_\_\_\_

SERIAL NO. \_\_\_\_\_

**HOW TO OBTAIN REPLACEMENT PARTS:** Replacement parts can be purchased online at [www.ryobitools.com](http://www.ryobitools.com) or by calling 1-800-860-4050. Replacement parts can also be obtained at one of our service centers.

**HOW TO LOCATE A SERVICE CENTER:** Service centers can be located online at [www.ryobitools.com](http://www.ryobitools.com) or by calling 1-800-860-4050.

**HOW TO OBTAIN CUSTOMER OR TECHNICAL SUPPORT:** To obtain customer or technical support please contact us at 1-800-860-4050.

RYOBI is a trademark of Ryobi Limited and is used pursuant to a license granted by Ryobi Limited.

- **PIÈCES ET SERVICE :** Avant de faire la demande de service ou l'achat de pièces de remplacement, veuillez obtenir le numéro d'article, le numéro de fabrication et le numéro de série à partir de la plaque de données du produit.

NUMÉRO D'ARTICLE \_\_\_\_\_

NUMÉRO DE FABRICATION \_\_\_\_\_

NUMÉRO DE SÉRIE \_\_\_\_\_

**COMMENT OBTENIR LES PIÈCES DE REMPLACEMENT :** Les pièces de remplacement peuvent être achetées en ligne sur le site [www.ryobitools.com](http://www.ryobitools.com) ou par téléphone au 1-800-860-4050. Les pièces de remplacement peuvent être obtenues à un de nos centres de service.

**COMMENT TROUVER UN CENTRE DE SERVICE :** Les centres de service peuvent être localisés en ligne au [www.ryobitools.com](http://www.ryobitools.com) ou en téléphonant au 1-800-860-4050.

**COMMENT OBTENIR DE L'AIDE EN CONTACTANT LE SERVICE À LA CLIENTÈLE :** Pour contacter le service à la clientèle pour une question technique ou pour tout autre renseignement, veuillez nous téléphoner au 1-800-860-4050.

RYOBI est une marque de Ryobi Limited et est utilisée en vertu d'une licence accordée par Ryobi Limited.

- **PIEZAS DE REPUESTO Y SERVICIO:** Antes de solicitar servicio técnico o comprar piezas de repuesto, obtenga su número de artículo, el número de fabricación y el número de serie de la placa de datos del producto.

NÚMERO DE ARTÍCULO \_\_\_\_\_

NÚMERO DE FABRICACIÓN \_\_\_\_\_

NÚMERO DE SERIE \_\_\_\_\_

**CÓMO OBTENER PIEZAS DE REPUESTO:** Las piezas de repuesto se pueden comprar en nuestro sitio en la red mundial, en la dirección [www.ryobitools.com](http://www.ryobitools.com) o llamando al 1-800-860-4050. Las piezas de repuesto también se pueden obtener en uno de nuestros centros de servicio.

**CÓMO LOCALIZAR UN CENTRO DE SERVICIO:** Puede encontrar los centros de servicio visitando nuestro sitio en la red mundial, en la dirección [www.ryobitools.com](http://www.ryobitools.com) or by calling 1-800-860-4050.

**CÓMO OBTENER SERVICIO O ASISTENCIA TÉCNICA AL CONSUMIDOR:** Para obtener servicio o asistencia técnica al consumidor, sírvase comunicarse con nosotros llamando al 1-800-860-4050.

RYOBI es una marca de Ryobi Limited y se utiliza conforme a una licencia otorgada por Ryobi Limited.

## TECHTRONIC INDUSTRIES POWER EQUIPMENT

P.O. Box 1288, Anderson, SC 29622, USA

1-800-860-4050 • [www.ryobitools.com](http://www.ryobitools.com)

995000785

8-13-19 (REV:02)